

PENCO PALLET RACK ASSEMBLY INSTRUCTIONS

PART NO. 8505



PENCO PRODUCTS, INC.

2024 Cressman Road, P.O. Box 158

Oaks, PA 19474-0158

www.pencoproducts.com

TOOLS REQUIRED:

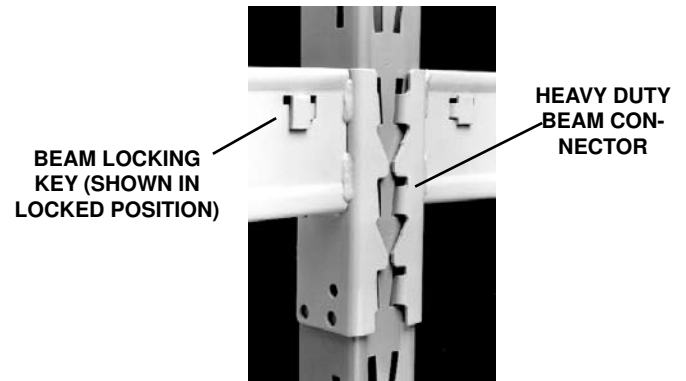
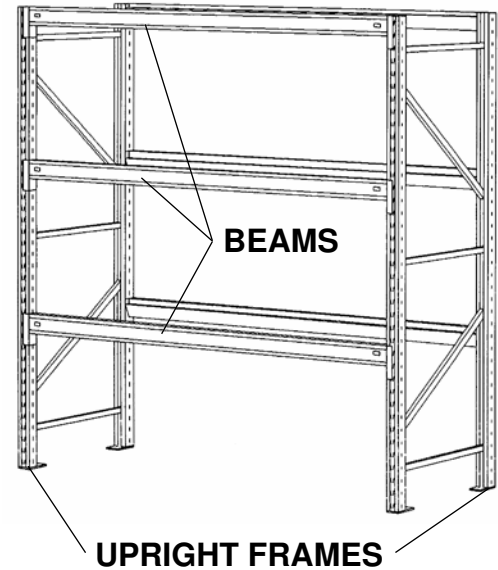
1. Drawings showing floor plan and beam locations.
2. Measuring Tape.
3. Chalk Line.
4. Mallet to seat beams.
5. 1/2" wrenches for 5/16" diameter bolts and nuts.
6. (Optional) wrench for 1/2" diameter bolt floor anchors.
7. (Optional) hammer and carbide drill for floor anchors.

ASSEMBLY PROCEDURE:

1. Inspect shipment for damaged components. Report any damage to the proper authority. Do not erect damaged parts.
2. Measure and mark chalk lines on floor where pallet racks and aisle are to be placed.
3. To start a row, stand two upright frames in proper position with bottom of lowest diagonal bar facing aisles, and then place beam between upright frames to position them.

NOTE: When installing beams, both beam locks must be in the open position and each end of beam must enter front slots in post simultaneously, hit on top to seat beams with mallet, then slide beam locks into locked position. Take care in getting units plumb, level, and square. Be sure starting unit is square before attaching additional units.

4. Now place beams in proper position in first unit. You can continue adding units by standing upright frames and beams to complete each unit until row is completed.
5. Assemble next row complete. If back to back with rigid row spacers, attach row spacers to posts with four hex head bolts 5/16" x 3/4", and whiz nuts.
6. Continue and assemble complete.
7. If rigid wall brackets are to be used, attach to posts with two hex head bolts 5/16" x 3/4", and whiz nuts. We recommend anchoring to wall with 5/16" diameter wall anchors appropriate for the wall construction.
8. When anchoring to floor, we recommend 1/2" bolt size anchors attached at footplate of posts at a minimum of 1 anchor per footplate. More anchors may be required depending on seismic conditions at the project site.
9. Racks should be installed plumb.
10. Shim where necessary to achieve plumbness.
11. Penco does not provide shims and anchors unless ordered separately.



IMPORTANT NOTE:

After installing all racks and before loading, check to verify that all safety beam locking keys are locked. The engagement of the safety beam locking keys should be checked periodically as an added precaution against accidental dislodgment of the beam assembly.



PENCO PRODUCTS, INC.

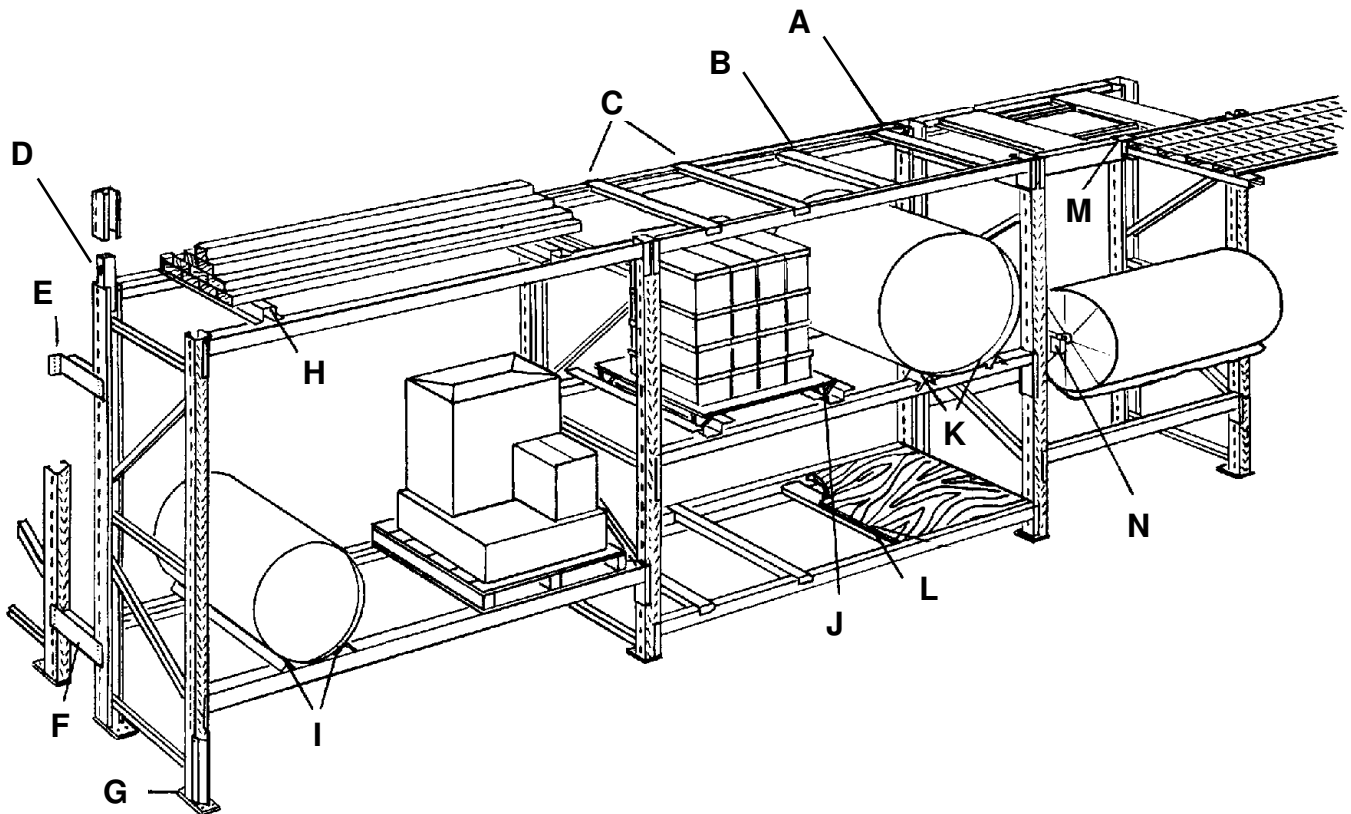
2024 Cressman Road, P.O. Box 158

Oaks, PA 19474-0158

www.pencoproducts.com

OPTIONAL ACCESSORIES

- | | |
|---|----------------------------|
| A. General Duty Cross Bars –
1-5/8" Step Beams | G. Frame Protector |
| B. General Duty Cross Bars –
7/8" Step Beams | H. Fork Clearance Bars |
| C. Heavy Duty Flanged Cross
Bars – 1-5/8" Step | I. Coil Bed Assembly |
| D. Frame Splice | J. Heavy Duty Skid Channel |
| E. Rigid Wall Bracket | K. Drum Wedges |
| F. Rigid Row Spacer | L. Plywood Supports |
| | M. Grating Supports |
| | N. Reel Holder |



RackAssem-Engl_5-2000-Rev11-2010