

# Penco Patriot® Turnout & Gear Lockers

Assembly Instructions for Welded & Knocked-Down Models (KD)



P/N: **86192**

general@pencoproducts.com

## Fasteners & Tools

The following items are found in the hardware kit shipped with the locker.

8615-Number plate



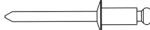
8671-Aluminum Rivet (for Number Plate)



8676-Pop Rivet (for HD Coat Hook and Coat Rod Bracket)



8619- Steel rivet



8633-Screw 10-24 x 1/2"



8672-Nut 10-24



8101-Bolt



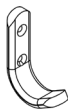
8473- Nut



8487-Washer



6ACXAB37- Hook, HD



6ACX\*\*\*\*-Coat Rod



6ACXFF58- Coat Rod Bracket



8624- Lag Screw 1/4"x1"

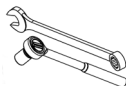


You will need these tools to assemble and install the Duty locker.

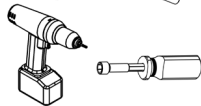
Rivet gun



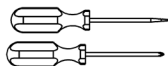
Socket & end wrenches



Drill (with torque adj.) or Nut Driver with 3/8" sockets.



Flat blade and Phillips screwdrivers

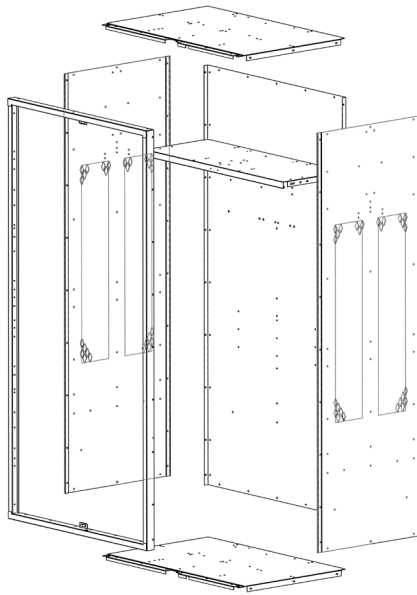


Level



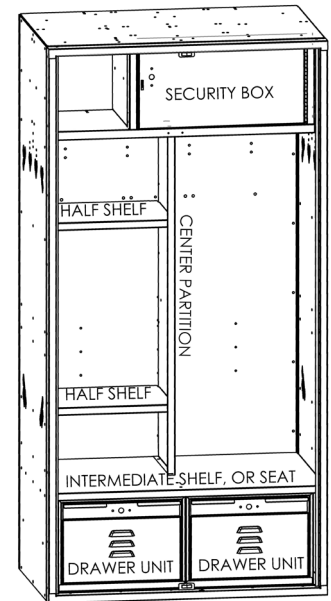
## STEP 1- Check Parts

Unpack the component pieces for the basic locker. You should have two sides or divisions, a back, a top, shelf, bottom, and frame assembly for the locker body. Backs on 48" wide lockers are split vertically and ship as two halves.

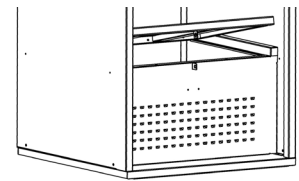


Note: Turnout lockers do not have outer doors. Gear lockers may have single or double doors depending on how they were ordered. Doors on K.D. Gear lockers greater than 24" wide are shipped loose and must be attached to the frame during final assembly. This is done to reduce the chance of damage and to make assembling the locker easier.

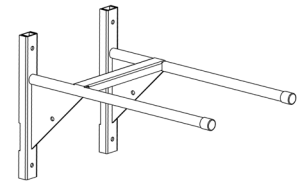
**1A-** Check for the internal components you ordered. The internal components COULD include a center partition, half shelves, security box, intermediate shelf, seat, foot locker, parachute/body armor rack, or drawer(s). Drawers on lockers greater than 30" wide require a combination of 2 smaller drawer units.



See Step 3 for Parts Above

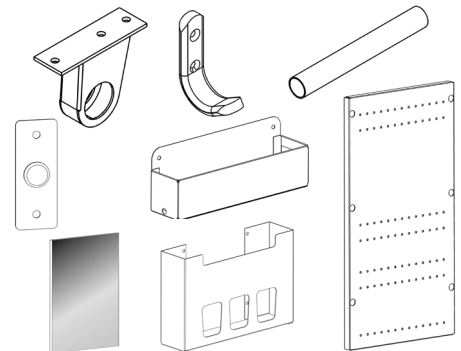


See Step 4 for Foot Locker



See Step 5 for Parachute Rack

## ACCESSORIES



See Step 6 for Accessories

800-562-1000

www.pencoproducts.com

Page 1

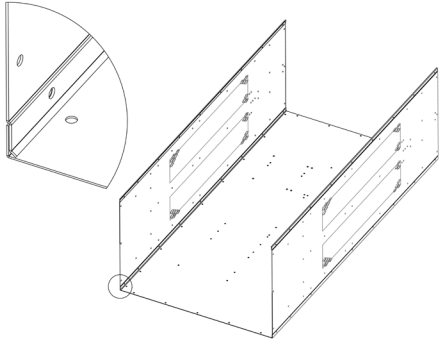


**STEP 2 – Assemble the Basic Locker**  
(KD version only. For Welded skip to Step 3.)

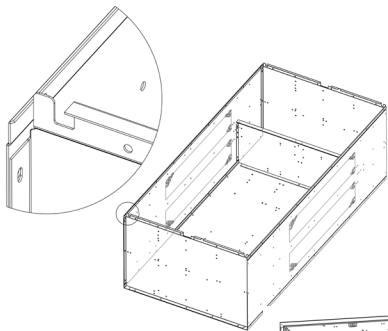
If being assembled by one person, it is recommended to attach the heavy duty coat hooks to the locker back before attaching the remaining body panels. Hold the hook tight to the inside of the locker back and insert each rivet from the outside so they “mushroom” into the countersunk hole when fully compressed.



**2A-** With the back panel laying flat on the ground attach the sides to the back using 8633 screws and 8672 nuts. The side panels fit inside the flanges of the back panel as shown in the detail view below. Patriot models are to be built only as 1-wide units.

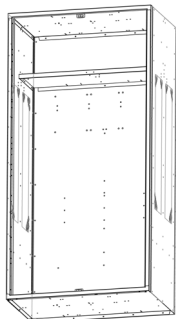


**2B-** Attach the top, bottom, and shelf pieces. The top, bottom and shelf fit inside the side panel as shown in the detail view below. Use 8633 bolts and 8672 nuts.

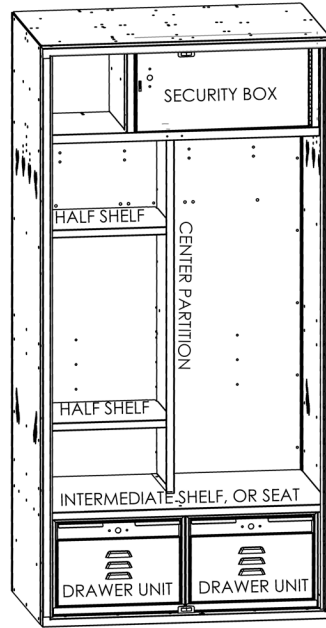


**2C-** Install the door frame. Use 8633 bolts and 8672 nuts.

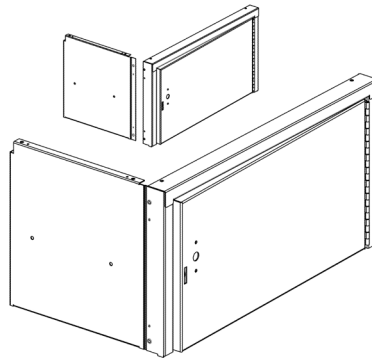
Note: Welded units will have doors already attached. Turnout lockers will not have doors.



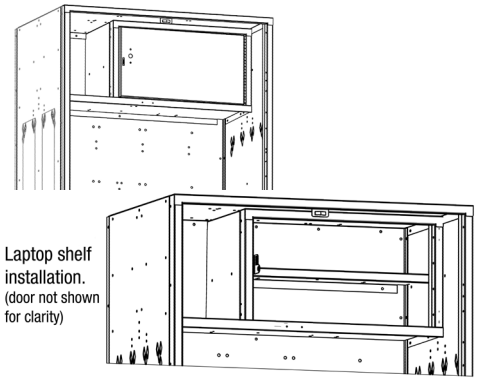
**STEP 3 – Assemble interior Components**



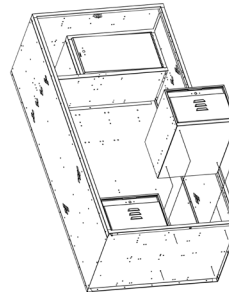
**3A-** Install the divider on the security box door and frame. Use 8633 bolts and 8672 nuts. The security box will be installed on top of the top shelf. (Note on 24” wide units with a full width security box there is no divider.)



**Step 3B-** Install the security box on the top shelf using 8633 bolts and 8672 nuts. The divider of the security box will attach to the shelf and the top in two places each. The right hand frame channel will attach to the division in two places. (Note: on 24” wide units both the right and left hand frame channels will attach to the divisions.) Note if you have a laptop shelf, install it in conjunction with the security box using 8672 nuts and 8633 bolts.



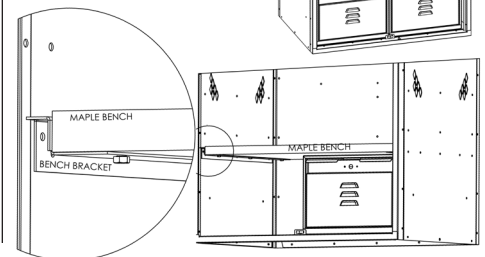
**3C-** Install drawer unit(s). It is not necessary to remove the drawer from its outer case during locker assembly. Place the drawer unit in the locker and align the four mounting holes. Rivet using four 8619 rivets up through the bottom of each drawer unit. Note for



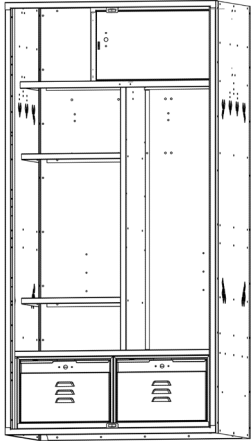
welded units the doors will already be on the frame. Two people are recommended for this procedure. To facilitate installation of drawer unit use wood strips cut

to approximately 7/16” width to keep drawer unit raised off the back to align rivet holes. Refer to Section 9, “Cleaning and Maintenance” for drawer maintenance information.

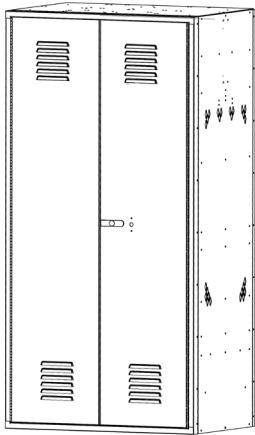
**3D-** Install the bottom shelf or seat using 8619 steel rivets on the sides and back. Note if wooden seat is used with drawer unit (12” high only) attach wooden seat to bench brackets first using 8624 lag bolts. The bench seat will need to be pre-drilled to accept the lag bolts. Then attach the seat brackets to sides using 8619 rivets.



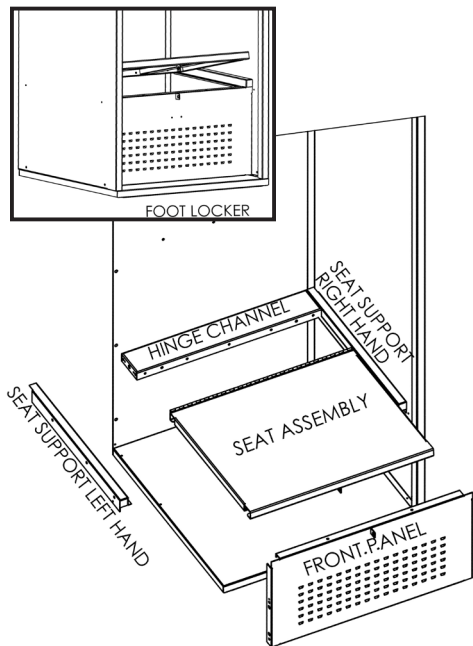
**3E-** Install the center partition and half shelves. Use 8633 bolts and 8672 nuts where possible and 8676 rivets where nuts and bolts will not work. Note if no intermediate shelf or drawer units were ordered then the center partition attaches to the bottom of the locker and not to the intermediate shelf. You may also have more half shelves depending on the model ordered.



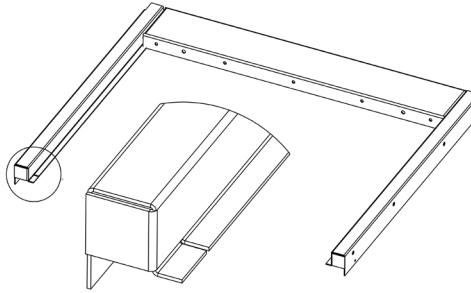
**3F-** Install doors if required. Fill each hole on the hinge using 8619 rivets. This step is best done by two people.



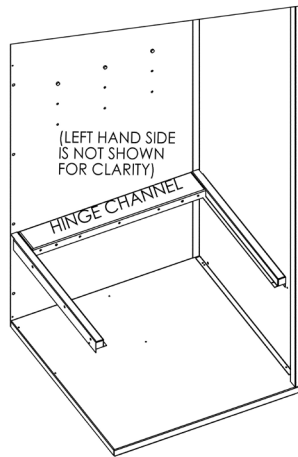
**STEP 4- Installation of the Foot Locker**



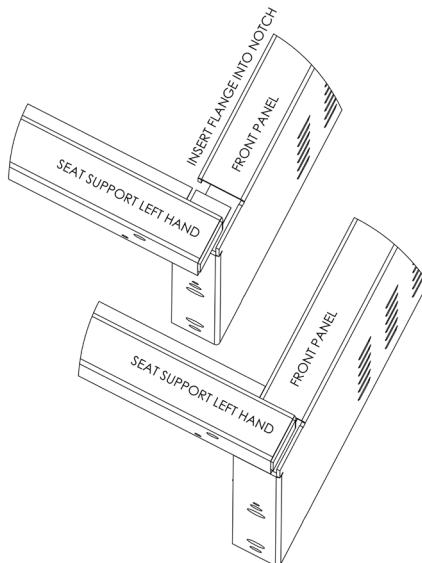
**4A-** Install the left and right seat supports to the hinge channel. The notch on the support needs to be at the front as shown. Use 8633 bolts and 8672 nuts.



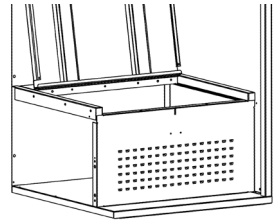
**4B-** Install the seat supports and hinge channel to the back and sides of the locker using 8633 bolts and 8672 nuts.



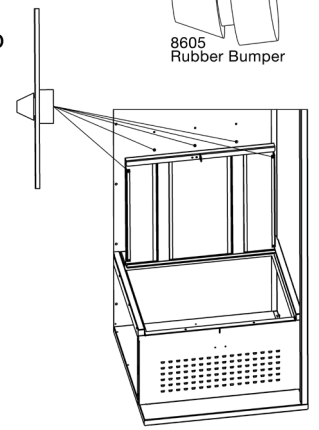
**4C-** Install the front panel aligning the flanges into BOTH right and left hand seat support notches as shown. Attach front panel to the bottom using 8633 bolts and 8672 nuts.



**4D-** Install the seat assembly. Use 8619 rivets and fill each hole on the hinge.

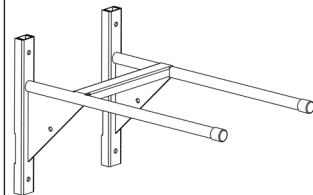


**4E-** Install the seat bumpers part number 8605. Three are to be attached to the locker back at the appropriate height for the seat to rest against. Two more will be attached to the seat. As you face the locker front, push the pointed end in each of the holes until it is seated as shown.

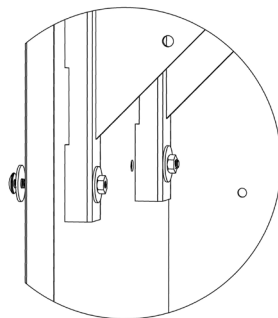
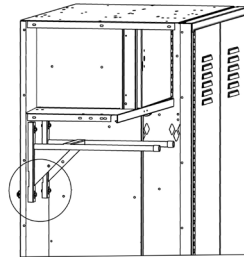


**STEP 5- Install the Parachute/Body Armor Rack**

**5A-** Attach in four places using 8101 bolt, two 8487 washers, and 8473 nut. Slide a washer onto the bolt and then insert the bolt through the hole in



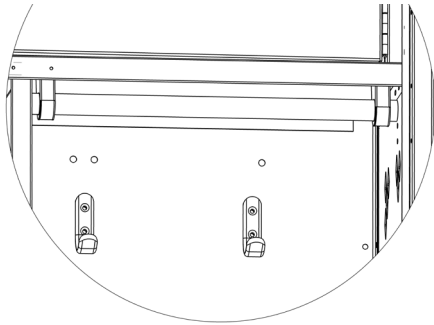
the locker back and parachute rack. Place the second washer on the bolt and secure with a nut. Repeat this procedure four times.





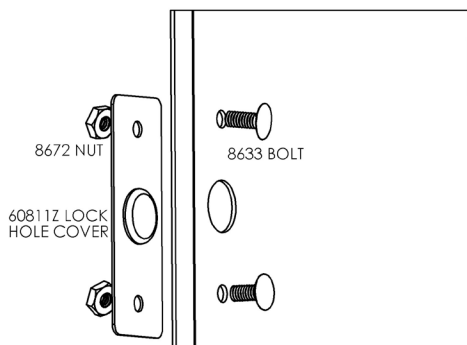
## STEP 6- Install Accessories and Locks

**6A-** Install the hanger bar. Slide the hanger brackets (6ACXFF58) onto the 1" round chrome hanger bar. Note the hanger brackets should have the smooth metal surface facing front when mounted. Note on coat rods over 30" three hanger brackets are required. Position the bar and the brackets as shown below mating the holes in the bracket with the mounting holes in the shelf. Use 8676 pop rivets or 8633 bolts with 8672 nuts. Note if you ordered the optional garment separator, mount it under the self. The coat rod brackets and coat rod are not needed if garment separator is used.

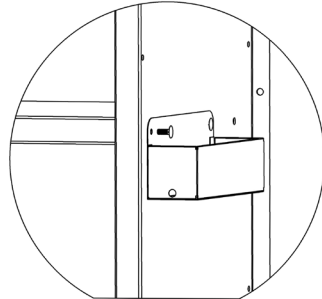
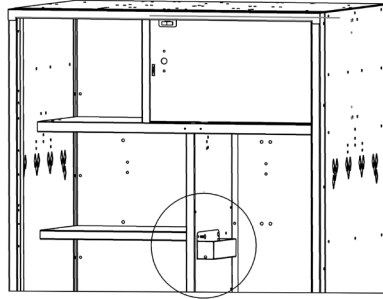


**6B-** Install the heavy duty hooks 6ACXAB37 on the back panel as shown above. Use 8676 pop rivets. It is critical to have the rivet gun on the back side of the locker allowing the compressed rivet to expand in the hook's countersunk hole. Note: if being assembled by one person, it is easier to attach the heavy duty coat hooks on the locker back before assembly of the body (knock down only).

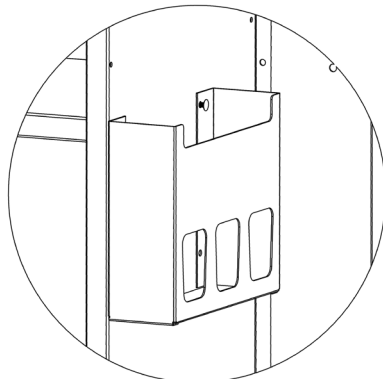
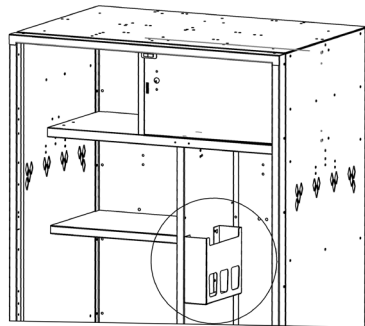
**6C-** Install locks or lock hole cover plate(s) as required.



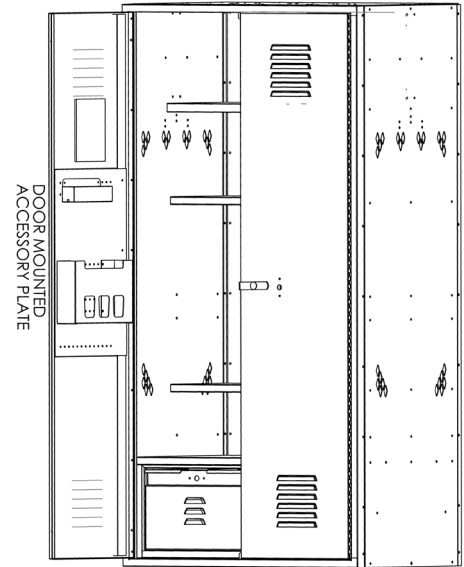
**6D-** Install the cell phone/key tray using 8633 bolts and 8672 nuts or 8676 rivets. This can be mounted to the center partition in factory pre-punched holes.



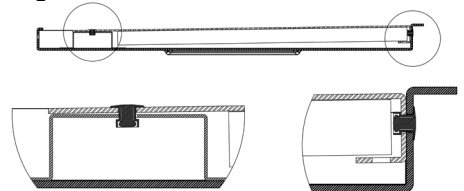
**6E-** Install the document sleeve. The 6ACXAB32C attaches to the center partition. This will attach to the center partition using 8633 bolts and nuts or 8676 rivets.



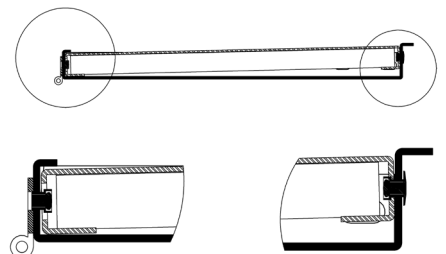
**6F-** Install the accessory mounting plate. There are two styles: a door-mounted and a center partition-mounted. The door styles attach to the specific door sizes using 8619 rivets. The universal accessory plate 6ACXFF15H attaches to the center partition. For installation use 8633 bolts and 8672 nuts if your rivet gun head is too large to fit into the access holes.

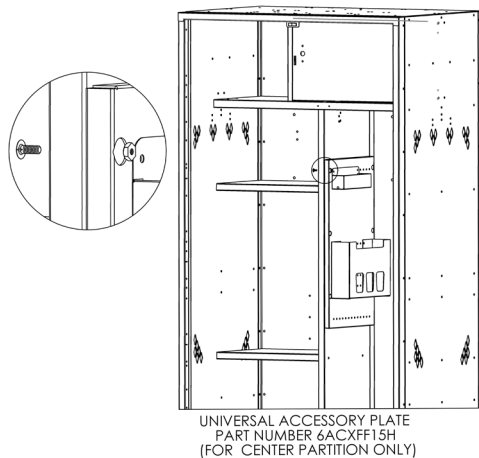


The accessory mounting plate will mount differently depending on the width of the door. For doors 18" wide or wider the accessory mounting plate will attach to the door pan and the door edge as seen below.

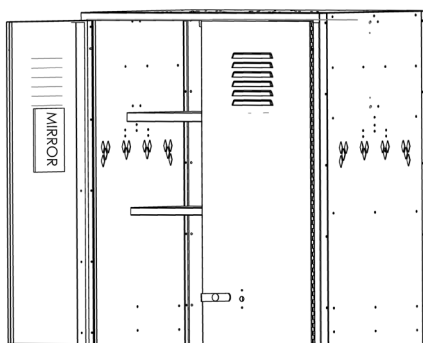


The accessory mounting plate will mount in the door flange and the door edge on doors less than 18" wide as seen below. (Note the accessory mounting plate has large holes for the already expanded rivet on the hinge side of the door.)





**6G-** Install the acrylic mirror. Remove plastic from adhesive backed tape and place mirror in desired location.



**STEP 7- Position the Lockers Prior to Anchoring**

Position the lockers where you want them to be after anchoring. Because Patriot lockers tend to be much larger than conventional lockers, we recommend they be handled and positioned by two people to avoid damaging the completed locker.

**STEP 8 – Anchoring and Levelling**

Proper anchoring is a very important part of the locker installation process. It is recommended that your lockers be anchored to both the wall and the floor, and important that they be made plumb and level before anchoring to ensure proper operation.

Carefully consider the installation site surfaces and obtain the proper bolts or fasteners. Installation anchors are not included with the locker hardware since anchor surfaces vary widely. Your local building code may require a specific type of anchor, particularly if you are in an area with high seismic activity. Consult a hardware store or

your maintenance department for the correct anchors for your situation. If Molly bolts are required, do not use plastic anchors. Metal washers are also recommended.

Locker anchoring done through the BACK of the locker should be as close to the division, or side, as possible. The floor anchor should go through the bottom except on welded lockers with integral channel base. If you cannot anchor to the floor, use two side anchors placing one high and one low.

When lockers are installed side by side, it is recommended that they be bolted to each other as well as anchored to the walls and floors.

Installation is now complete!

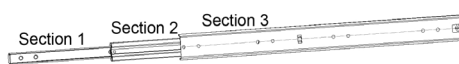
**STEP 9 – Cleaning and Maintenance**

If after assembly the locker requires cleaning, use a soft, slightly dampened cloth to remove dust and smudges. Stubborn blemishes can be removed using very mild soap and water used in moderation. Never use abrasives or harsh chemicals to clean the standard powder coat locker finish.

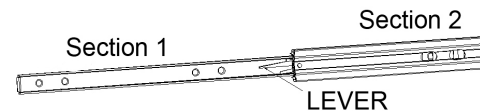
**Drawer Maintenance Information:**

If a drawer must be removed for maintenance or repair it is recommended that two people perform this task.

Section 1 (attached to the drawer) of the drawer slides can be detached from Section 2 (the bearing carriage that travels inside Section 3, which is riveted to the outer case) by using the release lever.

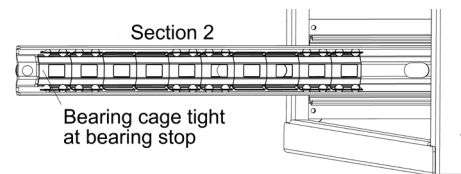


Because the same type slide assembly is used on both right and left sides, the lever needs to be pressed down on the right side of the drawer, and lifted up on the left side of the drawer in order to release the sections. While one person steadies the case, the second person can release the levers and pull the drawer free. Only Section 1 will remain attached to the drawer.

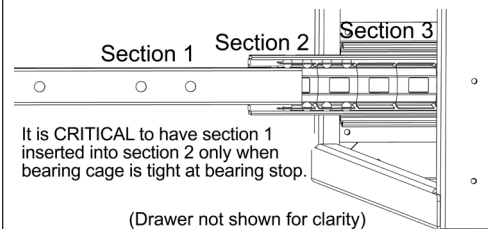


To reinstall the drawer, first make sure that the bearing carriages are seated against the bearing stop. Note: The bearing carriages will slide back and forth within drawer slide Section 2.

It is important to carefully align the slide sections mounted to the drawer with the sections mounted in the case. Insert the tray level and square with the case. Supporting the front of the tray with pieces of wood matching the height of the threshold of the case will help with alignment.



Insert slide Section 1 into the first four bearings on both sides of the drawer. With slide Section 1 properly inserted into the bearing carriage on both sides push the drawer squarely into the case to complete installation. Do not force the slide sections onto each other. If properly aligned they will engage with little resistance and after several inches of travel you will hear a faint click as the release lever engages. Properly installed drawers will have a firm but smooth action. There is a detent that prevents the drawer tray from rolling out of the case when closed. This feature will NOT hold the drawer in place if tilted forward.



Thank you for choosing quality Penco lockers! If you have any questions regarding locker installation, components, or any aspect of your locker assembly, please call 800-562-1000 or visit [www.pencoproducts.com](http://www.pencoproducts.com).

# Penco **PATRIOT** Turnout & Gear Lockers

## Turnout Lockers (do NOT have outer doors)



Patriot KD Turnout Locker with optional hardwood bench seat.



Patriot KD Turnout Locker with center partition, half shelves and security box.



Patriot welded Turnout Locker with foot locker and optional combination padlock.

## Gear Lockers (include outer doors)



Patriot welded Gear Locker with center partition, optional full width bottom shelf, cell phone/key tray and optional built-in combination lock.

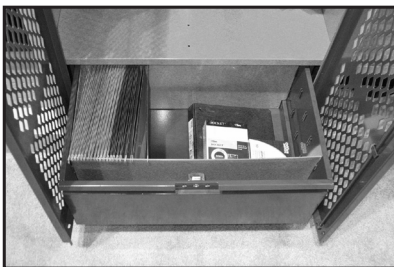


Patriot KD Gear Locker with optional center partition, half shelves, full width bottom shelf, security box, drawer, mirror and built-in combination locks.

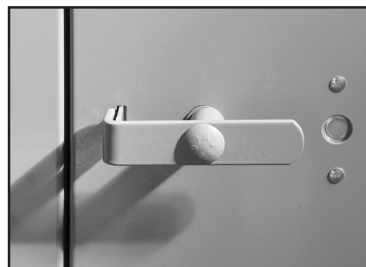


Patriot KD Gear Locker exterior with standard cremone turn-handle, diamond-shaped perforated sides and optional built-in combination lock.

## Drawers & Handles



Patriot Gear Locker with optional drawer and optional vertical dividers (2) for file storage.



Cremone turn-handle on Patriot Gear Locker with lock hole cover plate shown.



Optional stainless steel recessed pocket/handle on Patriot Gear Locker with built-in combination lock (single doors only).