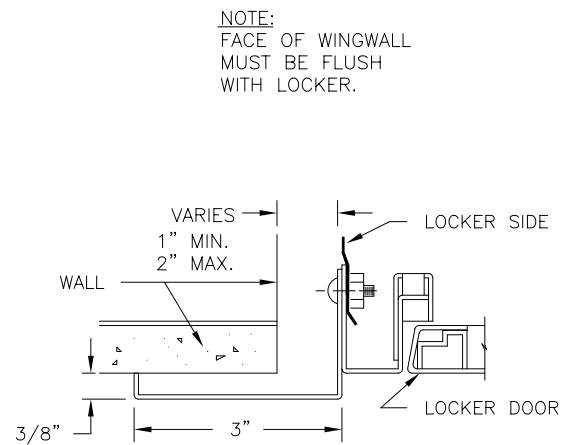


SECTION THRU TOP TRIM



SECTION THRU VERTICAL TRIM

SECTION THRU TOP AND SIDE TRIM

This drawing shows a standard Penco Product. Any modifications to the product must be approved by Penco Engineering. 8/6/2001



rectrim.dwg