

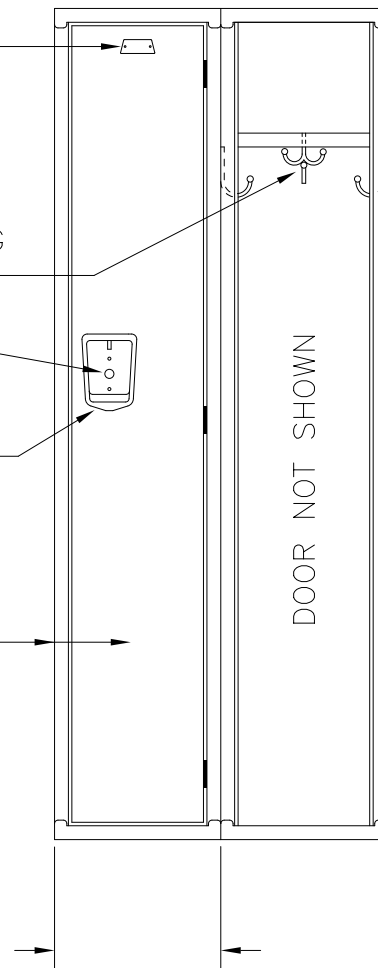
ALUMINUM NO. PLATE

ONE DBL. PRONG CEILING  
HOOK & THREE SGL. PRONG  
WALL HOOKS EA. OPG.

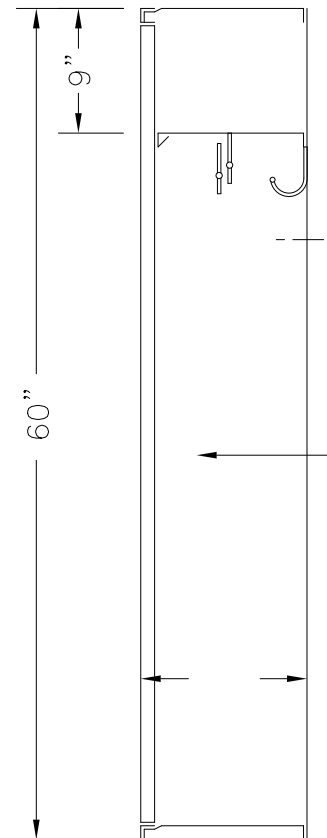
LOCK HOLE COVER PLATE

STAINLESS STEEL RECESSED  
POCKET WITH PADLOCK EYE

16GA. DOOR & FRAME



ELEVATION



24GA. BODY &  
TIER HEADS

SECTION @ WALL

60" HIGH SINGLE TIER GUARDIAN KNOCKDOWN LOCKER

TYPICAL FOR 9" & 12" WIDE, ALLOW 1/16" CREEPAGE PER FRAME  
TYPICAL FOR 12" & 15" DEEP

This drawing shows a standard Penco Product. Any modifications to the product must be approved by Penco Engineering. 8/6/2001



121260G.dwg

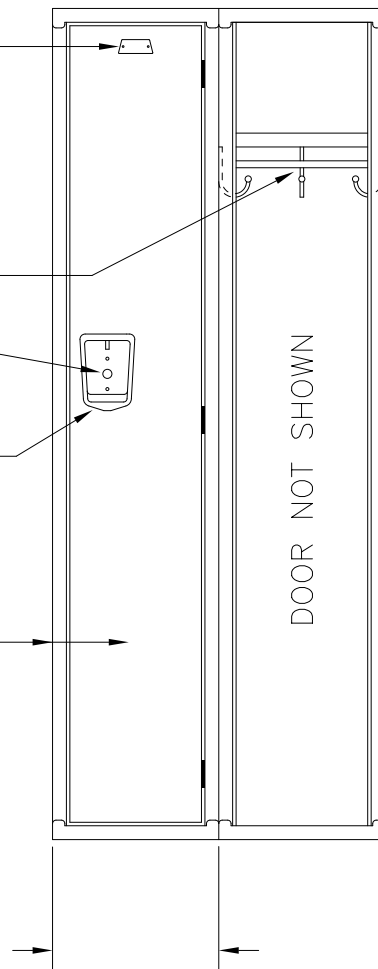
ALUMINUM NO. PLATE

ONE COAT ROD &  
THREE SGL. PRONG  
WALL HOOKS EA. OPG.

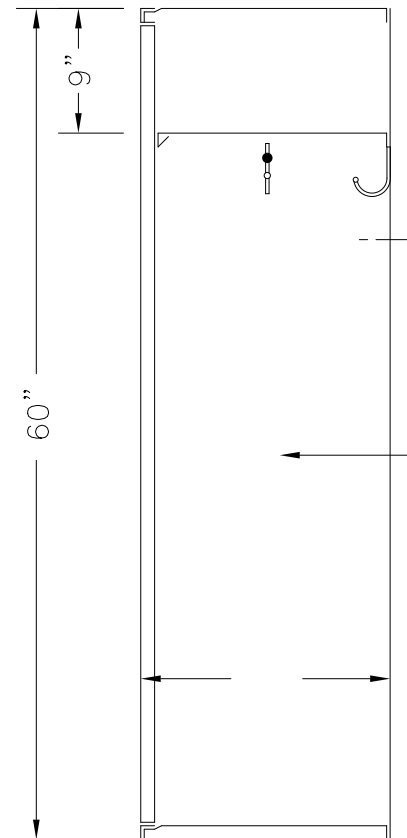
LOCK HOLE COVER PLATE

STAINLESS STEEL RECESSED  
POCKET WITH PADLOCK EYE

16GA. DOOR & FRAME



ELEVATION



24GA. BODY &  
TIER HEADS

SECTION @ WALL

60" HIGH SINGLE TIER GUARDIAN KNOCKDOWN LOCKER

TYPICAL FOR 9" & 12" WIDE, ALLOW 1/16" CREEPAGE PER FRAME

TYPICAL FOR 18", 21", & 24" DEEP

This drawing shows a standard Penco Product. Any modifications to the product must be approved by Penco Engineering. 8/6/2001



121860G.dwg

ALUMINUM NO. PLATE

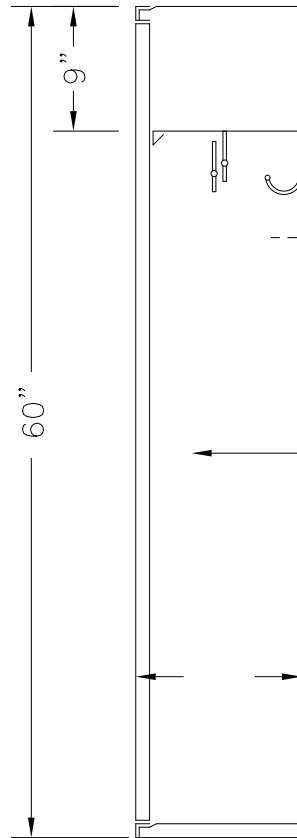
ONE DBL. PRONG CEILING  
HOOK & FOUR SGL. PRONG  
WALL HOOKS EA. OPG.

LOCK HOLE COVER PLATE

STAINLESS STEEL RECESSED  
POCKET WITH PADLOCK EYE

16GA. DOOR & FRAME  
18" RECEIVES DOOR REINFORCING PAN

DOOR NOT SHOWN



24GA. BODY &  
TIER HEADS

ELEVATION

SECTION @ WALL

**60" HIGH SINGLE TIER GUARDIAN KNOCKDOWN LOCKER**  
TYPICAL FOR 15" & 18" WIDE, ALLOW 1/16" CREEPAGE PER FRAME  
TYPICAL FOR 12" & 15" DEEP

This drawing shows a standard Penco Product. Any modifications to the product must be approved by Penco Engineering. 8/6/2001



151260G.dwg

ALUMINUM NO. PLATE

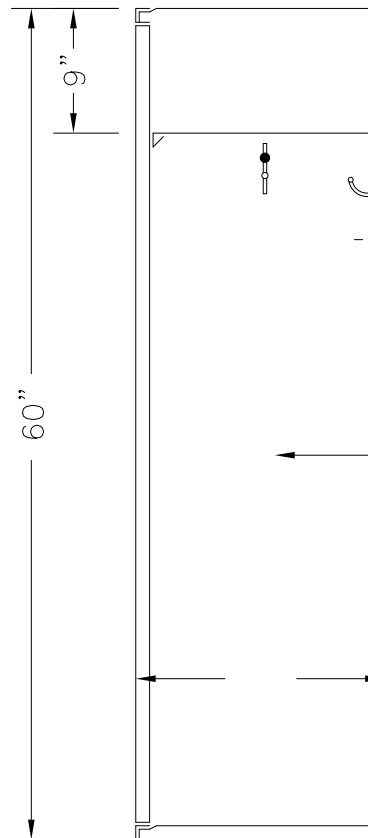
ONE COAT ROD &  
FOUR SGL. PRONG  
WALL HOOKS EA. OPG.

LOCK HOLE COVER PLATE

STAINLESS STEEL RECESSED  
POCKET WITH PADLOCK EYE

16GA. DOOR & FRAME  
18" RECEIVES DOOR REINFORCING PAN

DOOR NOT SHOWN



24GA. BODY &  
TIER HEADS

ELEVATION

SECTION @ WALL

**60" HIGH SINGLE TIER GUARDIAN KNOCKDOWN LOCKER**  
 TYPICAL FOR 15" & 18" WIDE, ALLOW 1/16" CREEPAGE PER FRAME  
 TYPICAL FOR 18", 21", & 24" DEEP

This drawing shows a standard Penco Product. Any modifications to the product must be approved by Penco Engineering. 8/6/2001



151860G.dwg

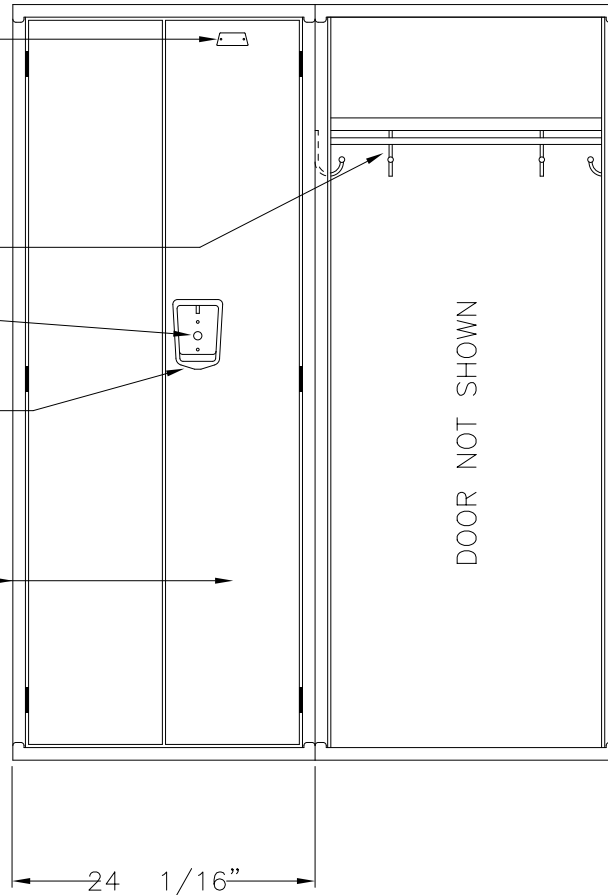
ALUMINUM NO. PLATE

ONE COAT ROD & FOUR  
SGL. PRONG WALL HOOKS  
EA. OPG.

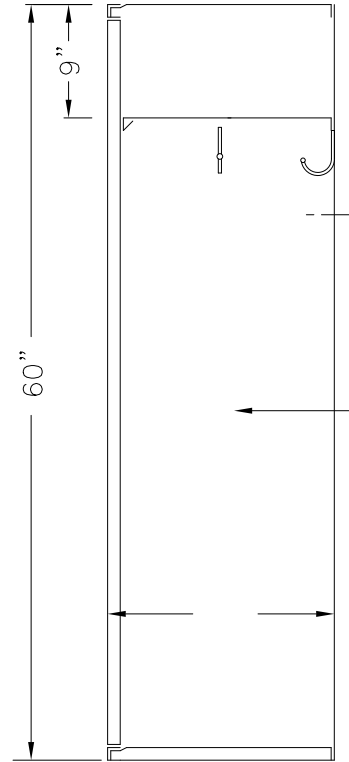
LOCK HOLE COVER PLATE

STAINLESS STEEL RECESSED  
POCKET WITH PADLOCK EYE

16GA. DOORS & FRAME



ELEVATION



24GA. BODY &  
TIER HEADS

SECTION @ WALL

60" HIGH SINGLE TIER DOUBLE DOOR GUARDIAN KNOCKDOWN LOCKER

This drawing shows a standard Penco Product. Any modifications to the product must be approved by Penco Engineering. 8/6/2001

24" WIDE, ALLOW 1/16" CREEPAGE PER FRAME  
TYPICAL FOR 18", 21", & 24" DEEP



241860GDD.dwg