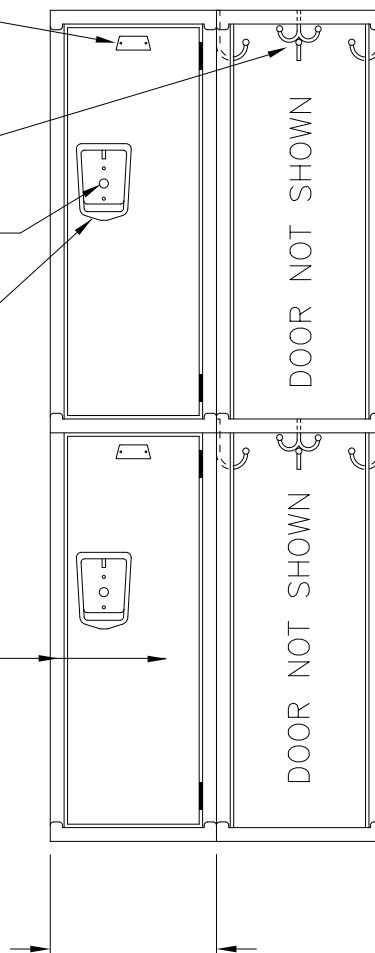
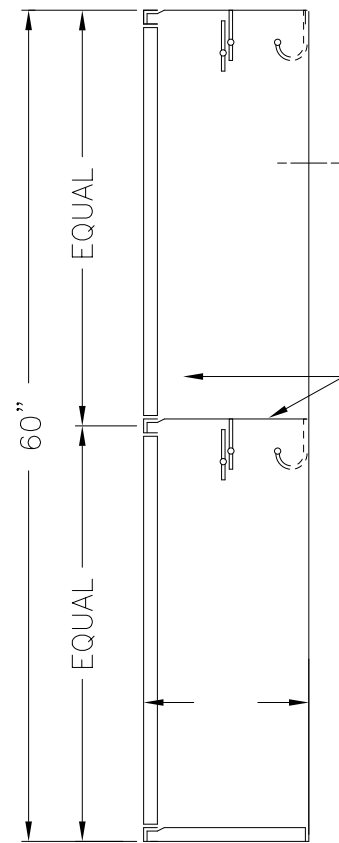


ALUMINUM NO. PLATE
 ONE DBL. PRONG CEILING
 HOOK & THREE SGL. PRONG
 WALL HOOKS EA. OPENING
 LOCK HOLE COVER PLATE
 STAINLESS STEEL RECESSED
 POCKET WITH PADLOCK EYE

16GA. DOOR & FRAME



ELEVATION



24GA. BODY &
 TIER HEADS

SECTION @ WALL

60" HIGH DOUBLE TIER GUARDIAN KNOCKDOWN LOCKER

TYPICAL FOR 9" & 12" WIDE, ALLOW 1/16" CREEPAGE PER FRAME
TYPICAL FOR 12", 15", 18", & 21" DEEP

This drawing shows a standard Penco Product. Any modifications to the product must be approved by Penco Engineering. 8/6/2001

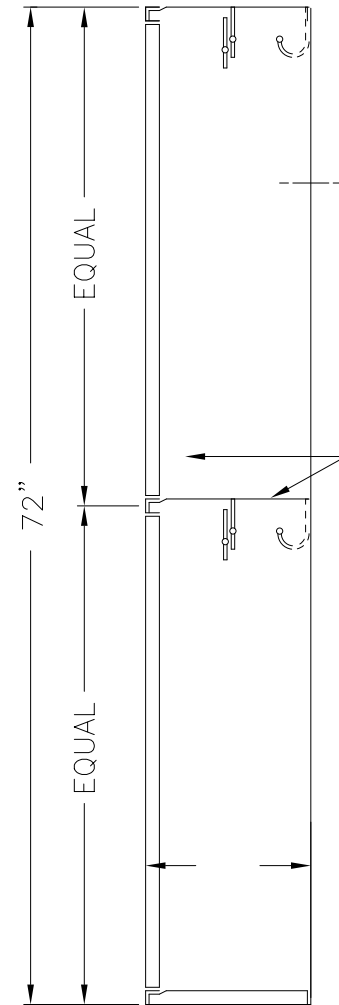
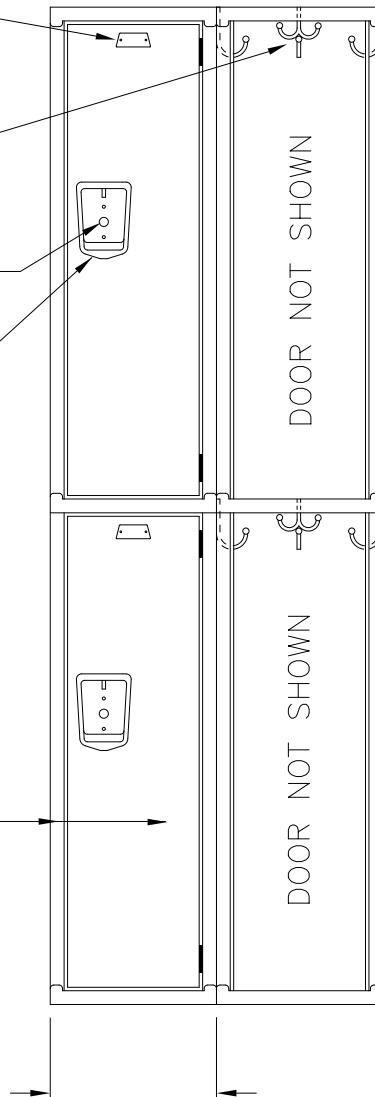


121260G2T.dwg

ALUMINUM NO. PLATE
 ONE DBL. PRONG CEILING
 HOOK & THREE SGL. PRONG
 WALL HOOKS EA. OPENING

LOCK HOLE COVER PLATE
 STAINLESS STEEL RECESSED
 POCKET WITH PADLOCK EYE

16GA. DOOR & FRAME



24GA. BODY &
 TIER HEADS

ELEVATION

SECTION @ WALL

72" HIGH DOUBLE TIER GUARDIAN KNOCKDOWN LOCKER

TYPICAL FOR 9" & 12" WIDE, ALLOW 1/16" CREEPAGE PER FRAME
 TYPICAL FOR 12", 15", 18", 21" & 24" DEEP

This drawing shows a standard Penco Product. Any modifications to the product must be approved by Penco Engineering. 8/6/2001



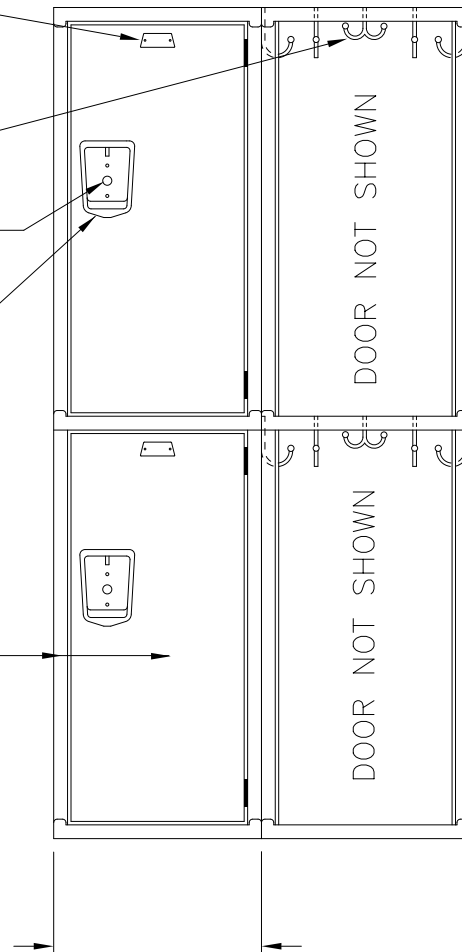
ALUMINUM NO. PLATE

ONE DBL. PRONG CEILING
HOOK & FOUR SGL. PRONG
WALL HOOKS EA. OPENING

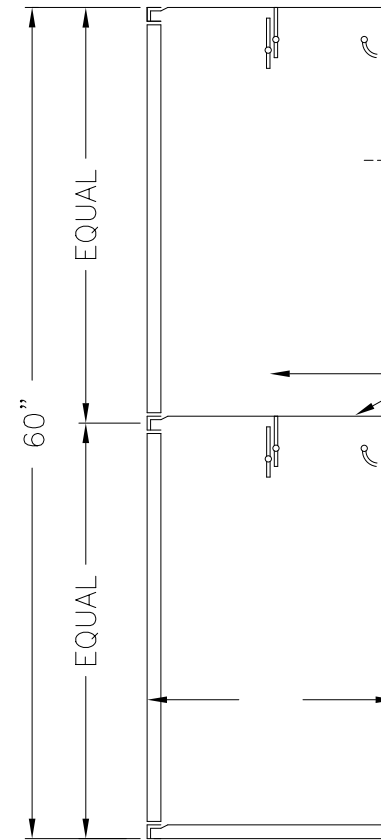
LOCK HOLE COVER PLATE

STAINLESS STEEL RECESSED
POCKET WITH PADLOCK EYE

16GA. DOOR & FRAME



ELEVATION



24GA. BODY &
TIER HEADS

SECTION @ WALL

60" HIGH DOUBLE TIER GUARDIAN KNOCKDOWN LOCKER

TYPICAL FOR 15" & 18" WIDE, ALLOW 1/16" CREEPAGE PER FRAME
TYPICAL FOR 12", 15", 18", 21", & 24" DEEP

This drawing shows a standard Penco Product. Any modifications to the product must be approved by Penco Engineering. 8/6/2001



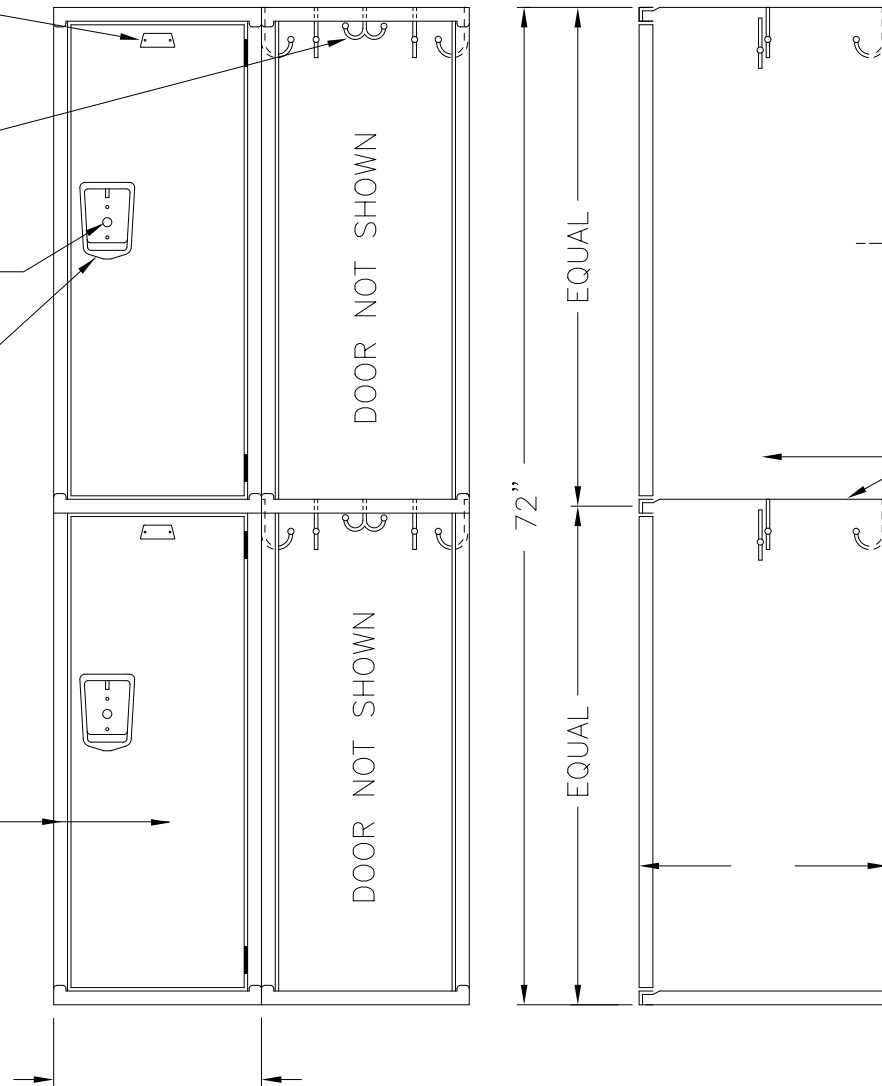
ALUMINUM NO. PLATE

ONE DBL. PRONG CEILING
HOOK & FOUR SGL. PRONG
WALL HOOKS EA. OPENING

LOCK HOLE COVER PLATE

STAINLESS STEEL RECESSED
POCKET WITH PADLOCK EYE

16GA. DOOR & FRAME



ELEVATION

SECTION @ WALL

72" HIGH DOUBLE TIER GUARDIAN KNOCKDOWN LOCKER

TYPICAL FOR 15" & 18" WIDE, ALLOW 1/16" CREEPAGE PER FRAME
TYPICAL FOR 12", 15", 18", 21", & 24" DEEP

This drawing shows a standard Penco Product. Any modifications to the product must be approved by Penco Engineering. 8/6/2001



151872G2T.dwg