

ALUMINUM NO. PLATE

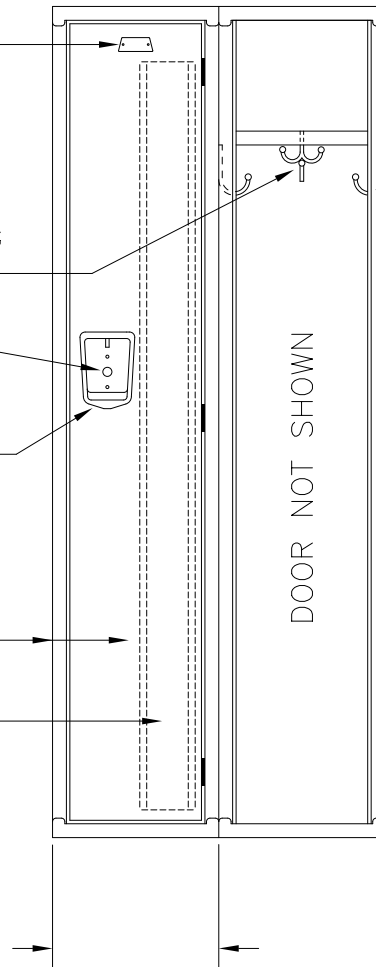
ONE DBL. PRONG CEILING
HOOK & THREE SGL. PRONG
WALL HOOKS EA. OPG.

LOCK HOLE COVER PLATE

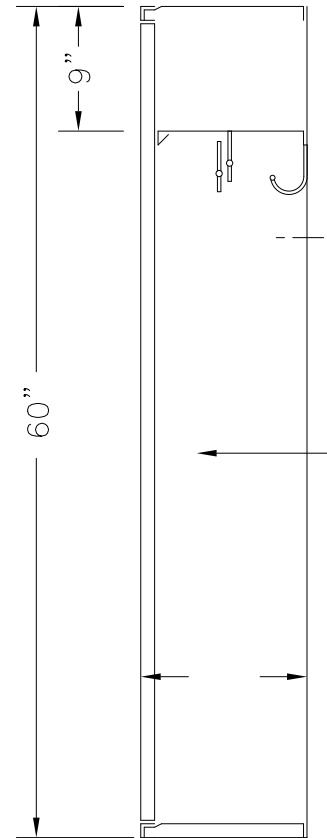
STAINLESS STEEL RECESSED
POCKET WITH PADLOCK EYE

16GA. DOOR & FRAME

QUIET SOUND DAMPENING
PANEL



ELEVATION



24GA. BODY &
TIER HEADS

SECTION @ WALL

60" HIGH SINGLE TIER GUARDIAN KNOCKDOWN LOCKER W/ MEDALLION OPTION

12" WIDE, ALLOW 1/16" CREEPAGE PER FRAME
TYPICAL FOR 12" & 15" DEEP

This drawing shows a standard Penco Product. Any modifications
to the product must be approved by Penco Engineering. 8/6/2001



121260GM.dwg

ALUMINUM NO. PLATE

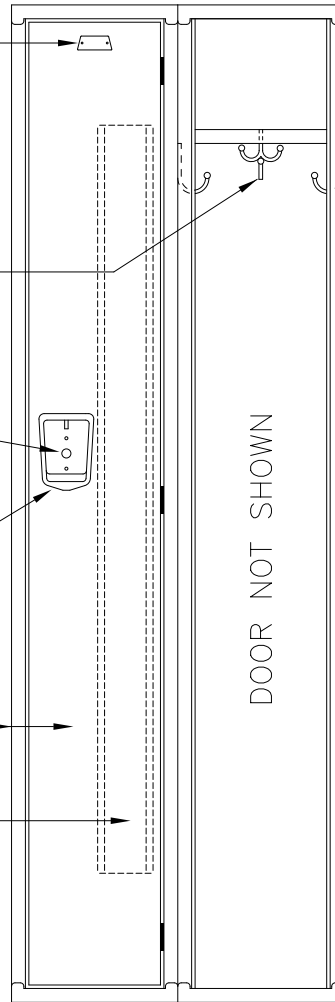
ONE DBL. PRONG CEILING
HOOK & THREE SGL. PRONG
WALL HOOKS EA. OPG.

LOCK HOLE COVER PLATE

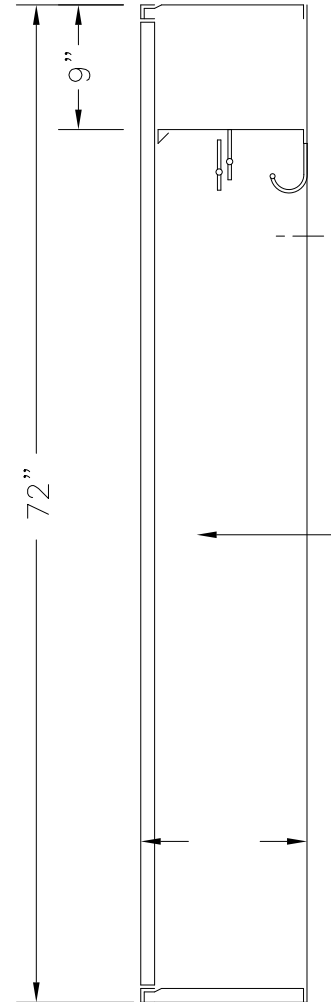
STAINLESS STEEL RECESSED
POCKET WITH PADLOCK EYE

16GA. DOOR & FRAME

QUIET SOUND DAMPENING
PANEL



ELEVATION



24GA. BODY &
TIER HEADS

SECTION @ WALL

72" HIGH SINGLE TIER GUARDIAN KNOCKDOWN LOCKER W/ MEDALLION OPTION

12" WIDE, ALLOW 1/16" CREEPAGE PER FRAME
TYPICAL FOR 12" & 15" DEEP

This drawing shows a standard Penco Product. Any modifications
to the product must be approved by Penco Engineering. 8/6/2001



121272GM.dwg

ALUMINUM NO. PLATE

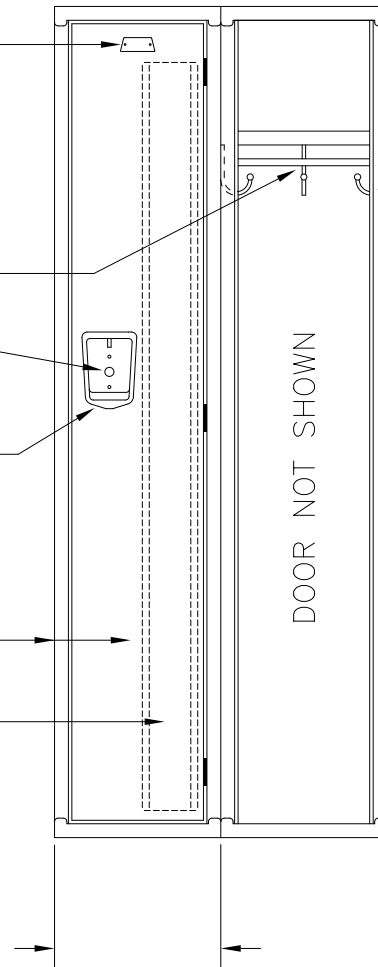
ONE COAT ROD &
THREE SGL. PRONG
WALL HOOKS EA. OPG.

LOCK HOLE COVER PLATE

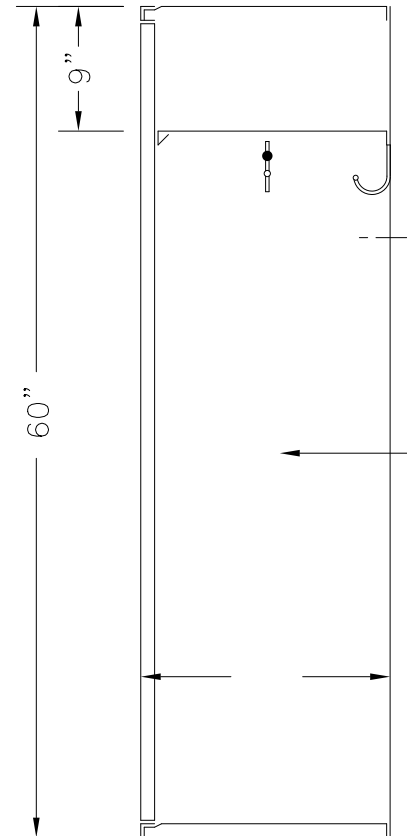
STAINLESS STEEL RECESSED
POCKET WITH PADLOCK EYE

16GA. DOOR & FRAME

QUIET SOUND DAMPENING
PANEL



ELEVATION



24GA. BODY &
TIER HEADS

SECTION @ WALL

60" HIGH SINGLE TIER GUARDIAN KNOCKDOWN LOCKER W/ MEDALLION OPTION

12" WIDE, ALLOW 1/16" CREEPAGE PER FRAME

TYPICAL FOR 18", 21", & 24" DEEP

This drawing shows a standard Penco Product. Any modifications to the product must be approved by Penco Engineering. 8/6/2001



ALUMINUM NO. PLATE

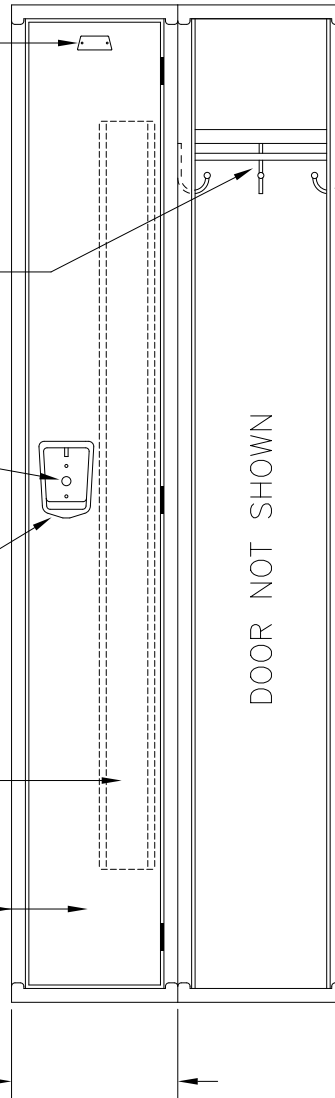
ONE COAT ROD &
THREE SGL. PRONG
WALL HOOKS EA. OPG.

LOCK HOLE COVER PLATE

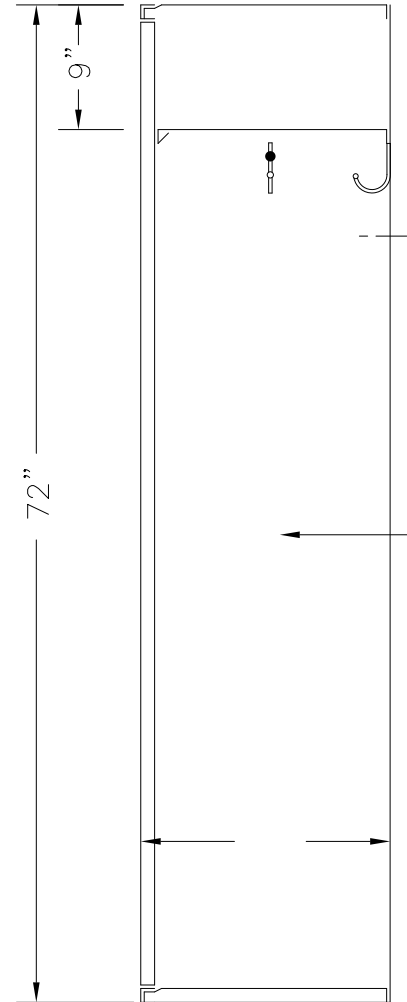
STAINLESS STEEL RECESSED
POCKET WITH PADLOCK EYE

QUIET SOUND DAMPENING
PANEL

16GA. DOOR & FRAME



ELEVATION



24GA. BODY &
TIER HEADS

SECTION @ WALL

72" HIGH SINGLE TIER GUARDIAN KNOCKDOWN LOCKER W/ MEDALLION OPTION

12" WIDE, ALLOW 1/16" CREEPAGE PER FRAME
TYPICAL FOR 18", 21", & 24" DEEP

This drawing shows a standard Penco Product. Any modifications to the product must be approved by Penco Engineering. 8/6/2001



ALUMINUM NO. PLATE

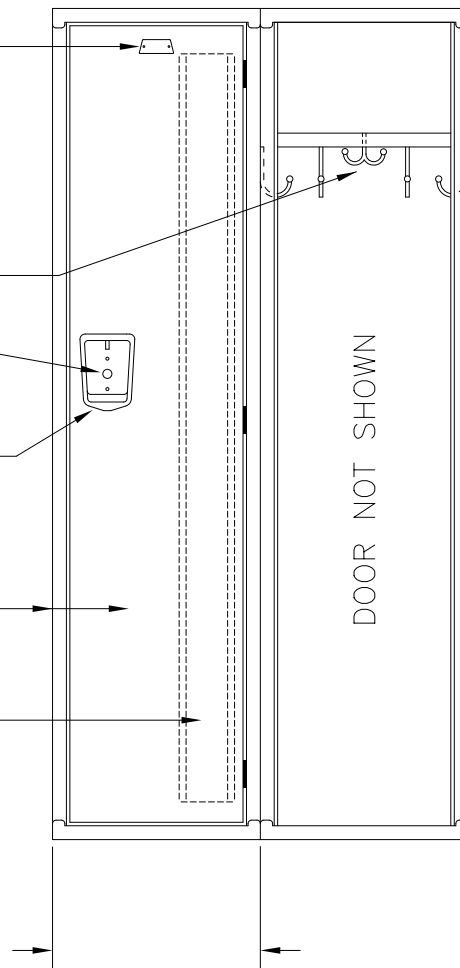
ONE DBL. PRONG CEILING
HOOK & FOUR SGL. PRONG
WALL HOOKS EA. OPG.

LOCK HOLE COVER PLATE

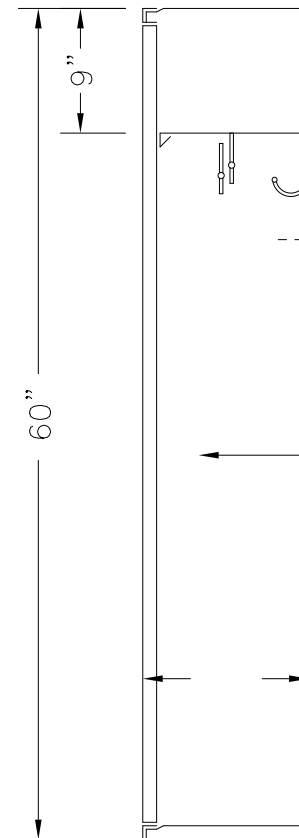
STAINLESS STEEL RECESSED
POCKET WITH PADLOCK EYE

16GA. DOOR & FRAME

QUIET SOUND DAMPENING
PANEL



ELEVATION



SECTION @ WALL

60" HIGH SINGLE TIER GUARDIAN KNOCKDOWN LOCKER W/ MEDALLION OPTION
15" WIDE, ALLOW 1/16" CREEPAGE PER FRAME
TYPICAL FOR 12" & 15" DEEP

This drawing shows a standard Penco Product. Any modifications
to the product must be approved by Penco Engineering. 8/6/2001



151260GM.dwg

ALUMINUM NO. PLATE

ONE DBL. PRONG CEILING
HOOK & FOUR SGL. PRONG
WALL HOOKS EA. OPG.

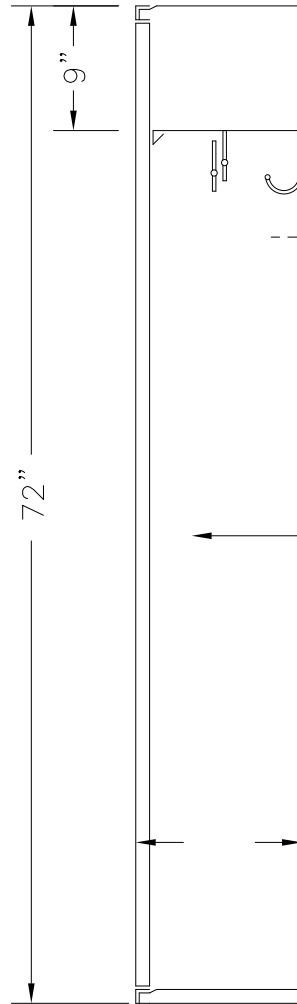
LOCK HOLE COVER PLATE

STAINLESS STEEL RECESSED
POCKET WITH PADLOCK EYE

QUIET SOUND DAMPENING
PANEL

16GA. DOOR & FRAME

DOOR NOT SHOWN



24GA. BODY &
TIER HEADS

ELEVATION

SECTION @ WALL

72" HIGH SINGLE TIER GUARDIAN KNOCKDOWN LOCKER W/ MEDALLION LOCKER

15" WIDE, ALLOW 1/16" CREEPAGE PER FRAME
TYPICAL FOR 12" & 15" DEEP

This drawing shows a standard Penco Product. Any modifications to the product must be approved by Penco Engineering. 8/6/2001



151272GM.dwg

ALUMINUM NO. PLATE

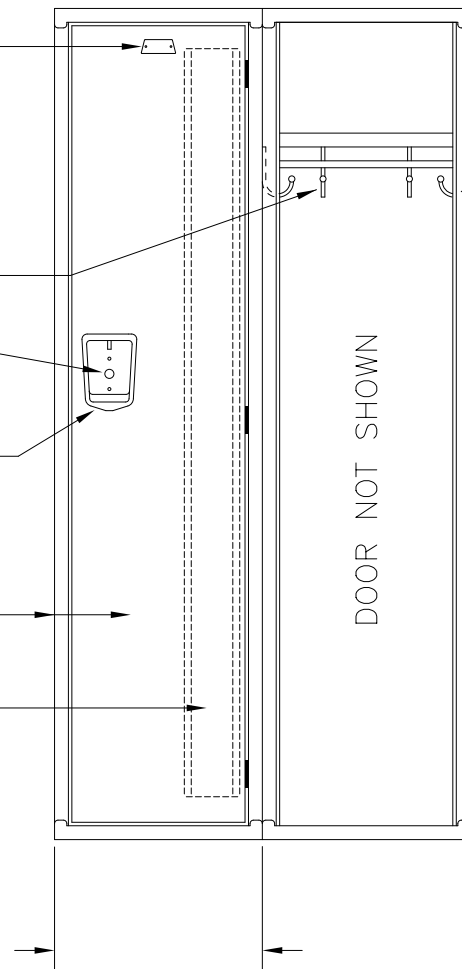
ONE COAT ROD &
FOUR SGL. PRONG
WALL HOOKS EA. OPG.

LOCK HOLE COVER PLATE

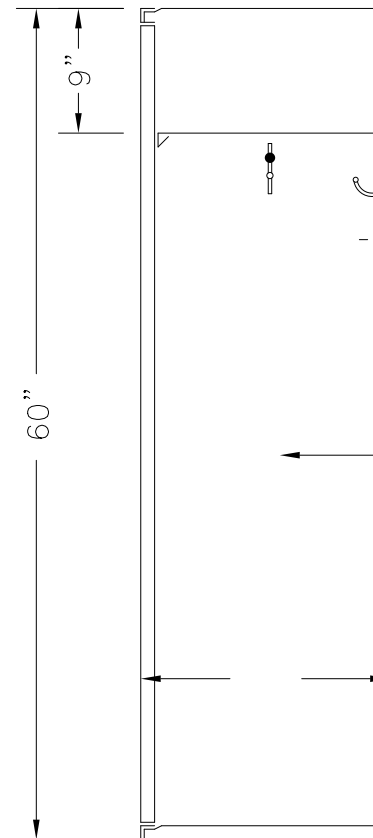
STAINLESS STEEL RECESSED
POCKET WITH PADLOCK EYE

16GA. DOOR & FRAME

QUIET SOUND DAMPENING
PANEL



ELEVATION



SECTION @ WALL

24GA. BODY &
TIER HEADS

60" HIGH SINGLE TIER GUARDIAN KNOCKDOWN LOCKER W/ MEDALLION OPTION

15" WIDE, ALLOW 1/16" CREEPAGE PER FRAME

TYPICAL FOR 18", 21", & 24" DEEP

This drawing shows a standard Penco Product. Any modifications to the product must be approved by Penco Engineering. 8/6/2001



ALUMINUM NO. PLATE

ONE COAT ROD &
FOUR SGL. PRONG
WALL HOOKS EA. OPG.

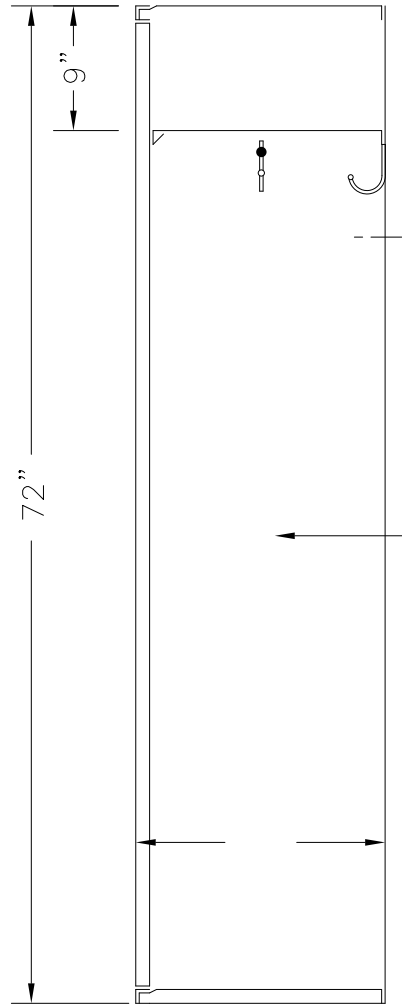
LOCK HOLE COVER PLATE

STAINLESS STEEL RECESSED
POCKET WITH PADLOCK EYE

QUIET SOUND DAMPENING
PANEL

16GA. DOOR & FRAME

DOOR NOT SHOWN



24GA. BODY &
TIER HEADS

ELEVATION

SECTION @ WALL

72" HIGH SINGLE TIER GUARDIAN KNOCKDOWN LOCKER W/ MEDALLION OPTION

15" WIDE, ALLOW 1/16" CREEPAGE PER FRAME
TYPICAL FOR 18", 21" & 24" DEEP

This drawing shows a standard Penco Product. Any modifications
to the product must be approved by Penco Engineering. 8/6/2001



151872GM.dwg

ALUMINUM NO. PLATE

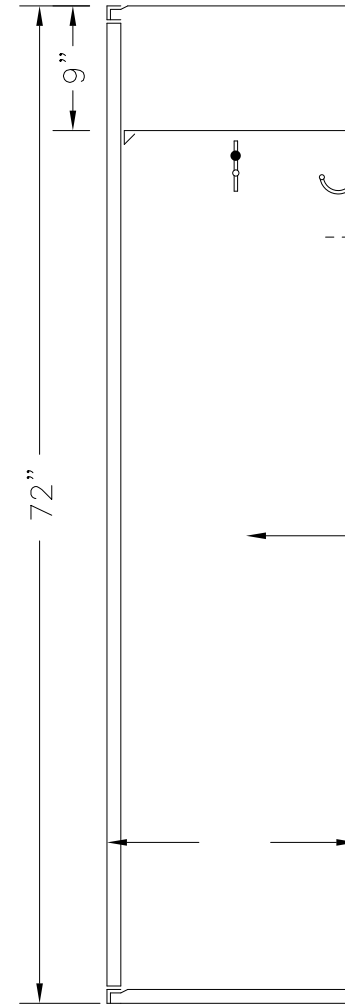
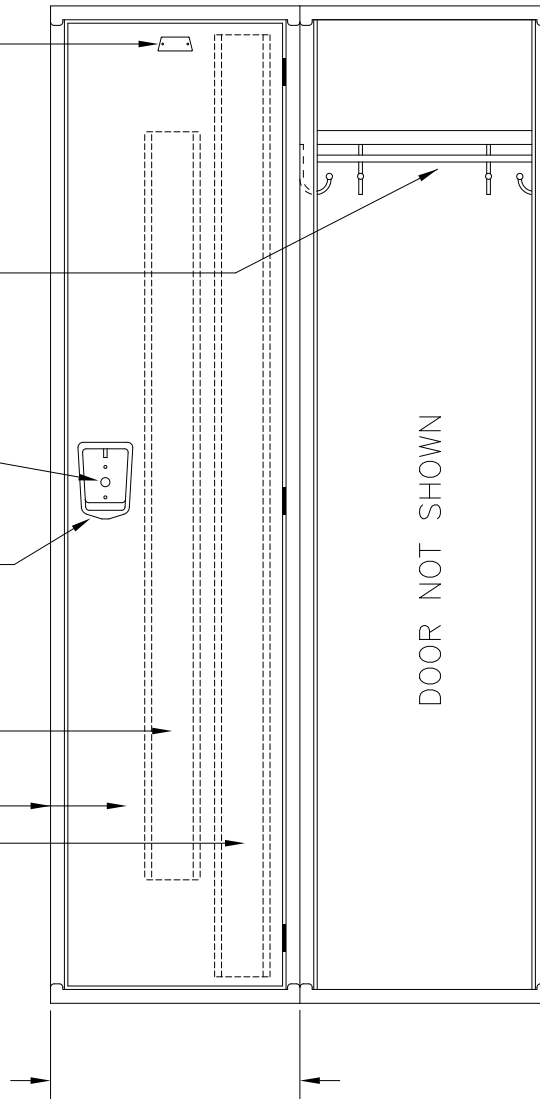
ONE COAT ROD & FOUR
SGL. PRONG WALL HOOKS
EA. OPG.

LOCK HOLE COVER PLATE

STAINLESS STEEL RECESSED
POCKET WITH PADLOCK EYE

QUIET SOUND DAMPENING
PANEL

16GA. DOOR & FRAME
DOOR REINFORCING PANEL



24GA. BODY &
TIER HEADS

ELEVATION

SECTION @ WALL

72" HIGH SINGLE TIER GUARDIAN KNOCKDOWN LOCKER W/ MEDALLION OPTION

18" WIDE, ALLOW 1/16" CREEPAGE PER FRAME
TYPICAL FOR 18", 21", & 24" DEEP

This drawing shows a standard Penco Product. Any modifications to the product must be approved by Penco Engineering. 8/6/2001



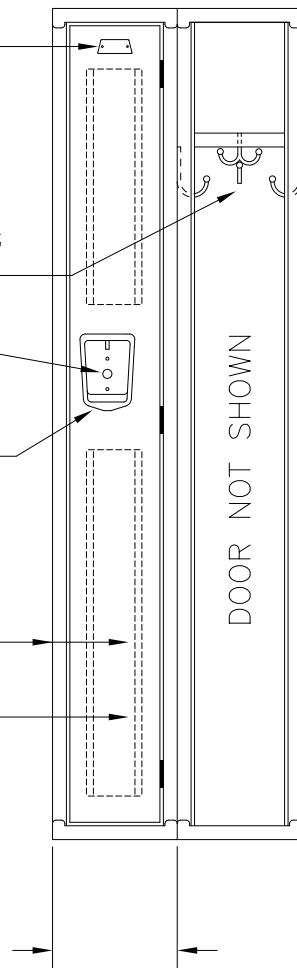
ALUMINUM NO. PLATE

ONE DBL. PRONG CEILING
HOOK & THREE SGL. PRONG
WALL HOOKS EA. OPG.

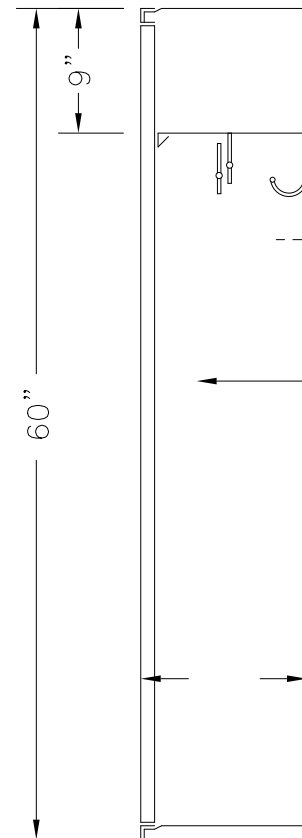
LOCK HOLE COVER PLATE

STAINLESS STEEL RECESSED
POCKET WITH PADLOCK EYE

16GA. DOOR & FRAME
QUIET SOUND DAMPENING
PANEL



ELEVATION



24GA. BODY &
TIER HEADS

SECTION @ WALL

60" HIGH SINGLE TIER GUARDIAN KNOCKDOWN LOCKER W/ MEDALLION OPTION

9" WIDE, ALLOW 1/16" CREEPAGE PER FRAME
TYPICAL FOR 12" & 15" DEEP

This drawing shows a standard Penco Product. Any modifications to the product must be approved by Penco Engineering. 8/6/2001



91260GM.dwg

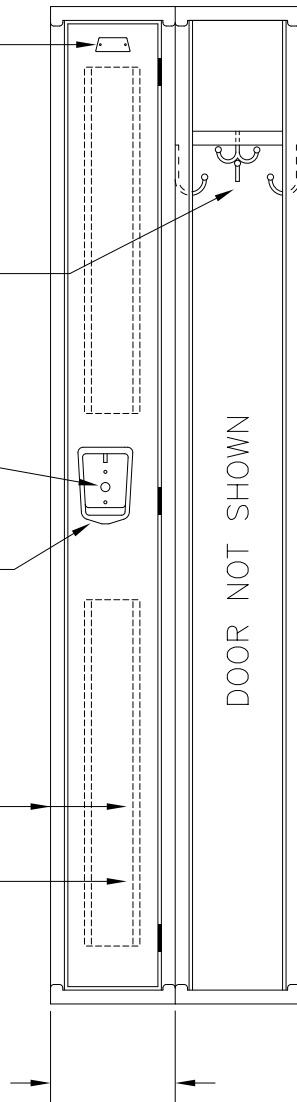
ALUMINUM NO. PLATE

ONE DBL. PRONG CEILING HOOK & THREE SGL. PRONG WALL HOOKS EA. OPG.

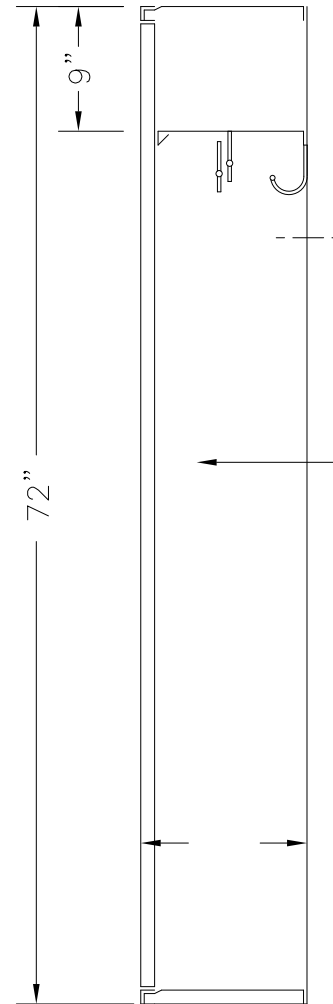
LOCK HOLE COVER PLATE

STAINLESS STEEL RECESSED POCKET WITH PADLOCK EYE

16GA. DOOR & FRAME
QUIET SOUND DAMPENING PANEL



ELEVATION



SECTION @ WALL

24GA. BODY & TIER HEADS

72" HIGH SINGLE TIER GUARDIAN KNOCKDOWN LOCKER W/ MEDALLION OPTION

9" WIDE, ALLOW 1/16" CREEPAGE PER FRAME
TYPICAL FOR 12" & 15" DEEP

This drawing shows a standard Penco Product. Any modifications to the product must be approved by Penco Engineering. 8/6/2001



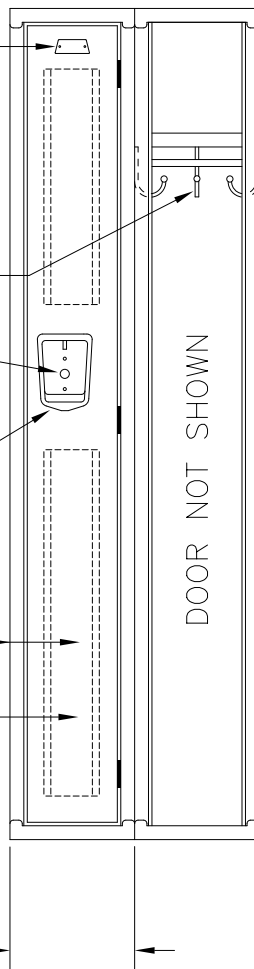
ALUMINUM NO. PLATE

ONE COAT ROD & THREE
SGL. PRONG WALL HOOKS
EA. OPG.

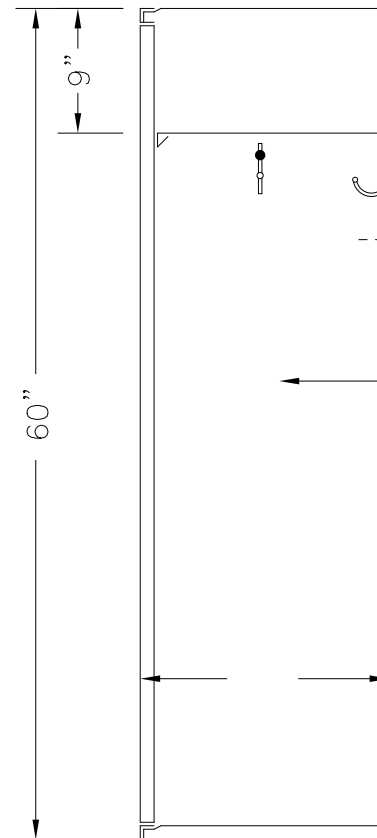
LOCK HOLE COVER PLATE

STAINLESS STEEL RECESSED
POCKET WITH PADLOCK EYE

16GA. DOOR & FRAME ASS'Y.
QUIET SOUND DAMPENING
PANEL



ELEVATION



24GA. BODY &
TIER HEADS

SECTION @ WALL

60" HIGH SINGLE TIER GUARDIAN KNOCKDOWN LOCKER W/ MEDALLION OPTION

9" WIDE, ALLOW 1/16" CREEPAGE PER FRAME
18" DEEP

This drawing shows a standard Penco Product. Any modifications to the product must be approved by Penco Engineering. 8/6/2001



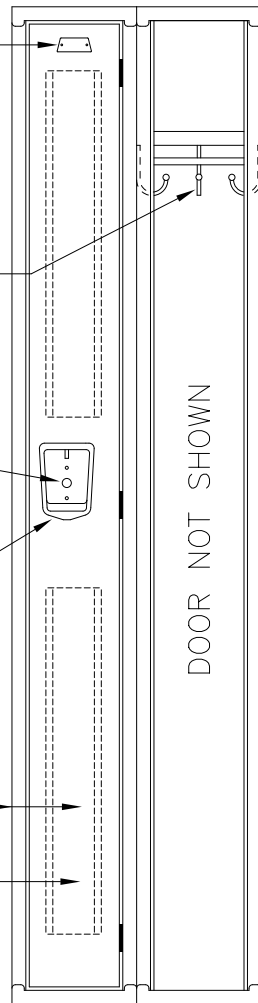
ALUMINUM NO. PLATE

ONE COAT ROD & THREE
SGL. PRONG WALL HOOKS
EA. OPG.

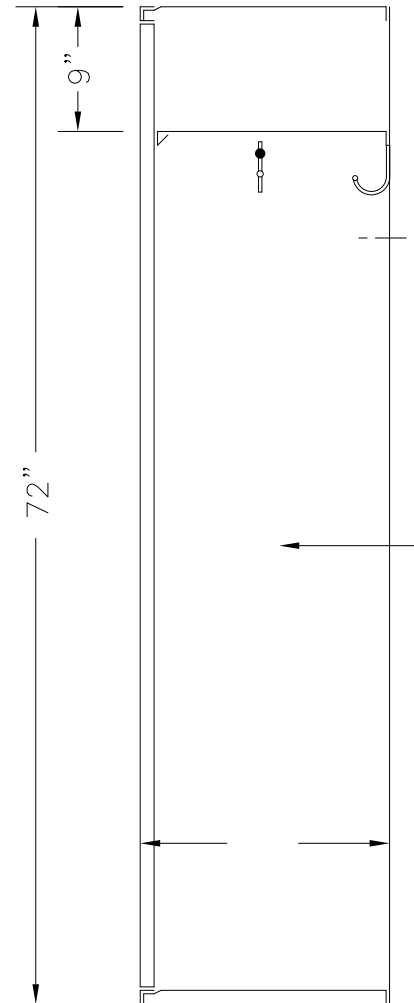
LOCK HOLE COVER PLATE

STAINLESS STEEL RECESSED
POCKET WITH PADLOCK EYE

16GA. DOOR & FRAME ASS'Y.
QUIET SOUND DAMPENING
PANEL



ELEVATION



SECTION @ WALL

24GA. BODY &
TIER HEADS

72" HIGH SINGLE TIER GUARDIAN KNOCKDOWN LOCKER W/ MEDALLION OPTION

9" WIDE, ALLOW 1/16" CREEPAGE PER FRAME
18" DEEP

This drawing shows a standard Penco Product. Any modifications to the product must be approved by Penco Engineering. 8/6/2001

