

72" HIGH SINGLE TIER GUARDIAN DEFIANT II LOCKER

TYPICAL FOR 12" WIDE
TYPICAL FOR 12" & 15" DEEP

ALUMINUM NUMBER PLATE
(FIELD INSTALL)

ONE DOUBLE PRONG CEILING
HOOK & THREE SINGLE PRONG
WALL HOOKS EACH OPENING
(FIELD INSTALL)

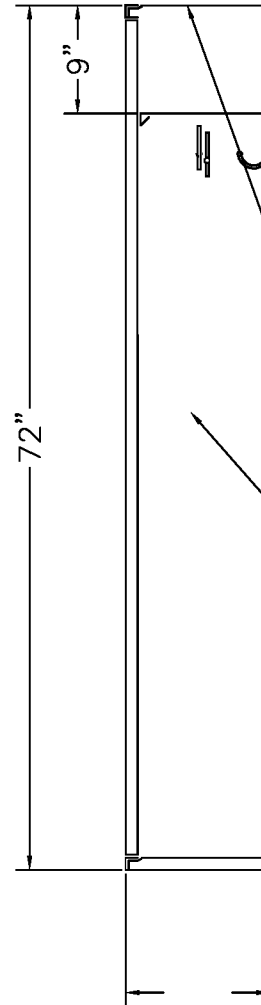
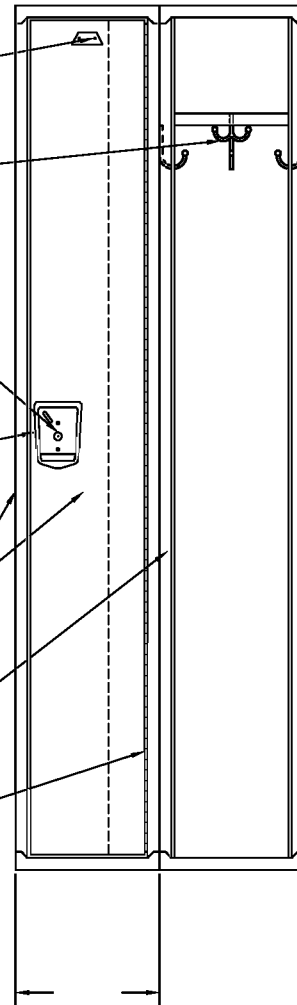
LOCK HOLE COVER PLATE

STAINLESS STEEL DEFIANT
HANDLE W/ PADLOCK HASP

16GA. FRAME ASSEMBLY &
14GA. SOLID DOOR W/
REINFORCMENT PAN

24GA. SOLID BACK

CONTINUOUS HINGE



ANCHOR LOCKERS TIGHT
TO WALL @ 36" O.C.
(ANCHORS BY OTHERS)

24GA. TOP, BOTTOM &
SHELF/TIER HEAD

24GA. SOLID DIVISION

ALLOW 1/16" CREEPAGE PER FRAME

72" HIGH SINGLE TIER GUARDIAN DEFIANT II LOCKER

TYPICAL FOR 12" WIDE
TYPICAL FOR 18" & 21" DEEP

ALUMINUM NUMBER PLATE
(FIELD INSTALL)

ONE DOUBLE PRONG CEILING
HOOK & THREE SINGLE PRONG
WALL HOOKS EACH OPENING
(FIELD INSTALL)

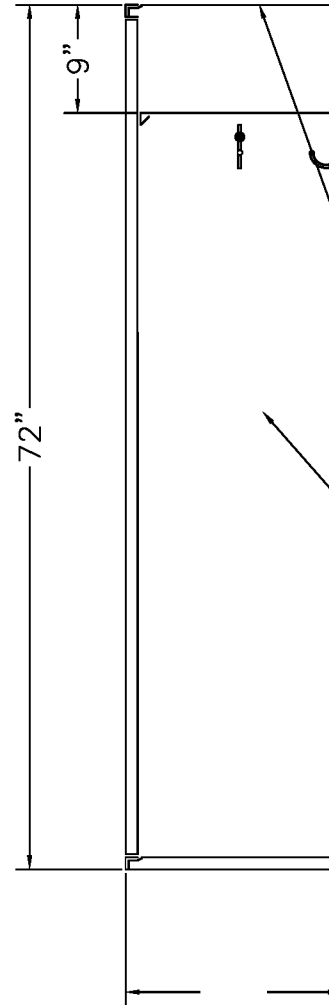
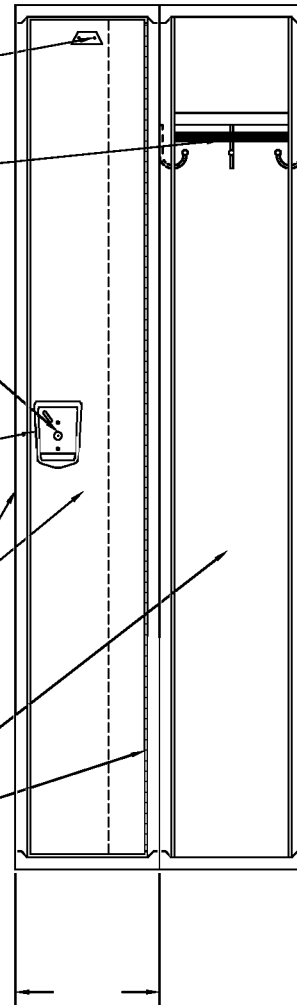
LOCK HOLE COVER PLATE

STAINLESS STEEL DEFIANT
HANDLE W/ PADLOCK HASP

16GA. FRAME ASSEMBLY &
14GA. SOLID DOOR W/
REINFORCMENT PAN

24GA. SOLID BACK

CONTINUOUS HINGE



ANCHOR LOCKERS TIGHT
TO WALL @ 36" O.C.
(ANCHORS BY OTHERS)

24GA. TOP, BOTTOM &
SHELF/TIER HEAD

24GA. SOLID DIVISION

ALLOW 1/16" CREEPAGE PER FRAME

72" HIGH SINGLE TIER GUARDIAN DEFIANT II LOCKER

TYPICAL FOR 15" & 18" WIDE
TYPICAL FOR 18", 21" & 24" DEEP

ALUMINUM NUMBER PLATE
(FIELD INSTALL)

ONE COAT ROD AND
FOUR SINGLE PRONG
WALL HOOKS EACH OPENING
(FIELD INSTALL)

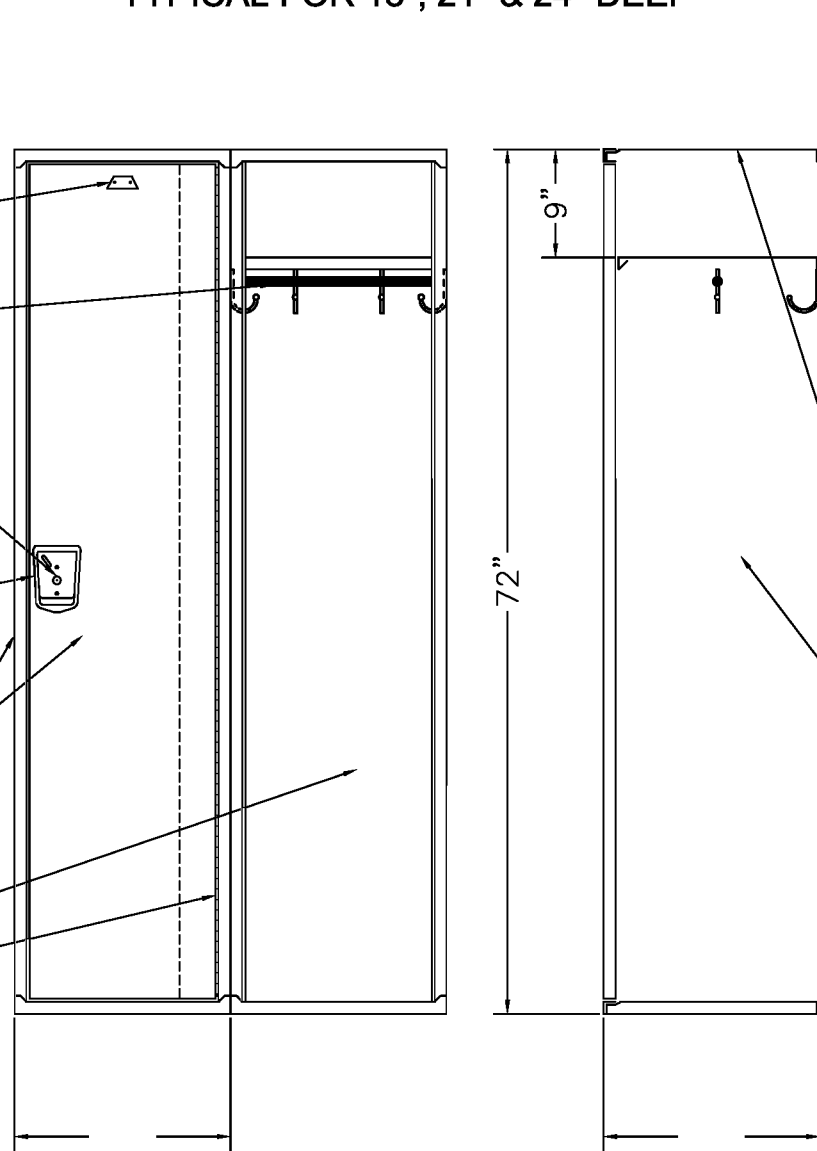
LOCK HOLE COVER PLATE

STAINLESS STEEL DEFIANT
HANDLE W/ PADLOCK HASP

16GA. FRAME ASSEMBLY &
14GA. SOLID DOOR W/
REINFORCMENT PAN

24GA. SOLID BACK

CONTINUOUS HINGE



ANCHOR LOCKERS TIGHT
TO WALL @ 36" O.C.
(ANCHORS BY OTHERS)

24GA. TOP, BOTTOM &
SHELF/TIER HEAD

24GA. SOLID DIVISION

ALLOW 1/16" CREEPAGE PER FRAME

72" HIGH SINGLE TIER GUARDIAN DEFIANT II LOCKER

TYPICAL FOR 15" & 18" WIDE

TYPICAL FOR 12" & 15" DEEP

ALUMINUM NUMBER PLATE
(FIELD INSTALL)

ONE DOUBLE PRONG CEILING
HOOK & FOUR SINGLE PRONG
WALL HOOKS EACH OPENING
(FIELD INSTALL)

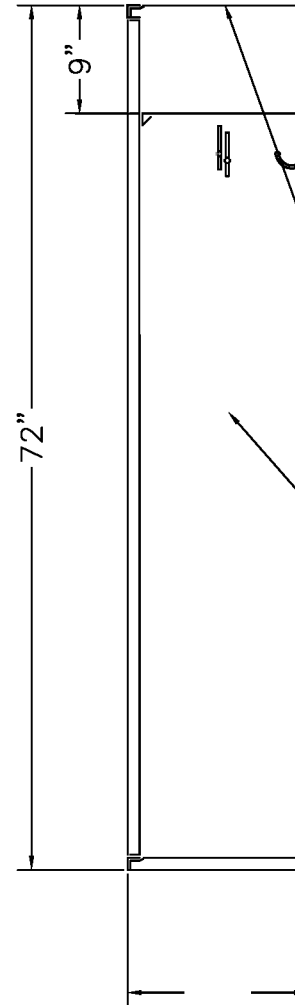
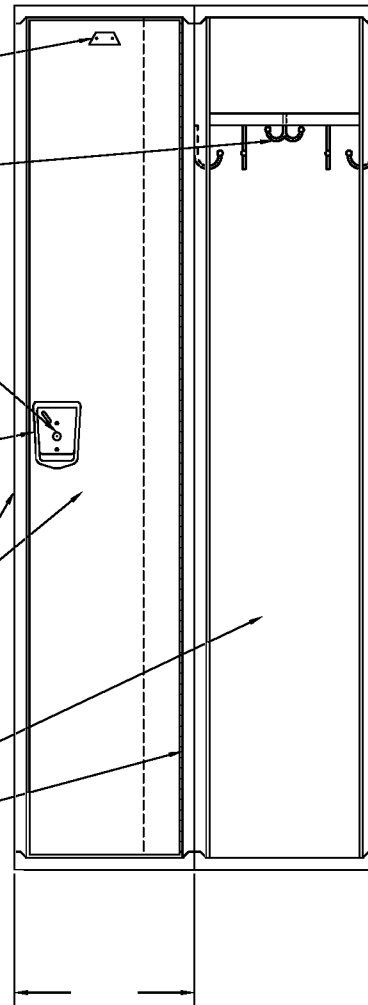
LOCK HOLE COVER PLATE

STAINLESS STEEL DEFIANT
HANDLE W/ PADLOCK HASP

16GA. FRAME ASSEMBLY &
14GA. SOLID DOOR W/
REINFORCMENT PAN

24GA. SOLID BACK

CONTINUOUS HINGE



ANCHOR LOCKERS TIGHT
TO WALL @ 36" O.C.
(ANCHORS BY OTHERS)

24GA. TOP, BOTTOM &
SHELF/TIER HEAD

24GA. SOLID DIVISION

ALLOW 1/16" CREEPAGE PER FRAME

72" HIGH SINGLE TIER GUARDIAN DEFIANT II LOCKER

TYPICAL FOR >18" WIDE
TYPICAL FOR 18", 21" & 24" DEEP

ALUMINUM NUMBER PLATE
(FIELD INSTALL)

ONE COAT ROD AND
FOUR SINGLE PRONG
WALL HOOKS EACH OPENING
(FIELD INSTALL)

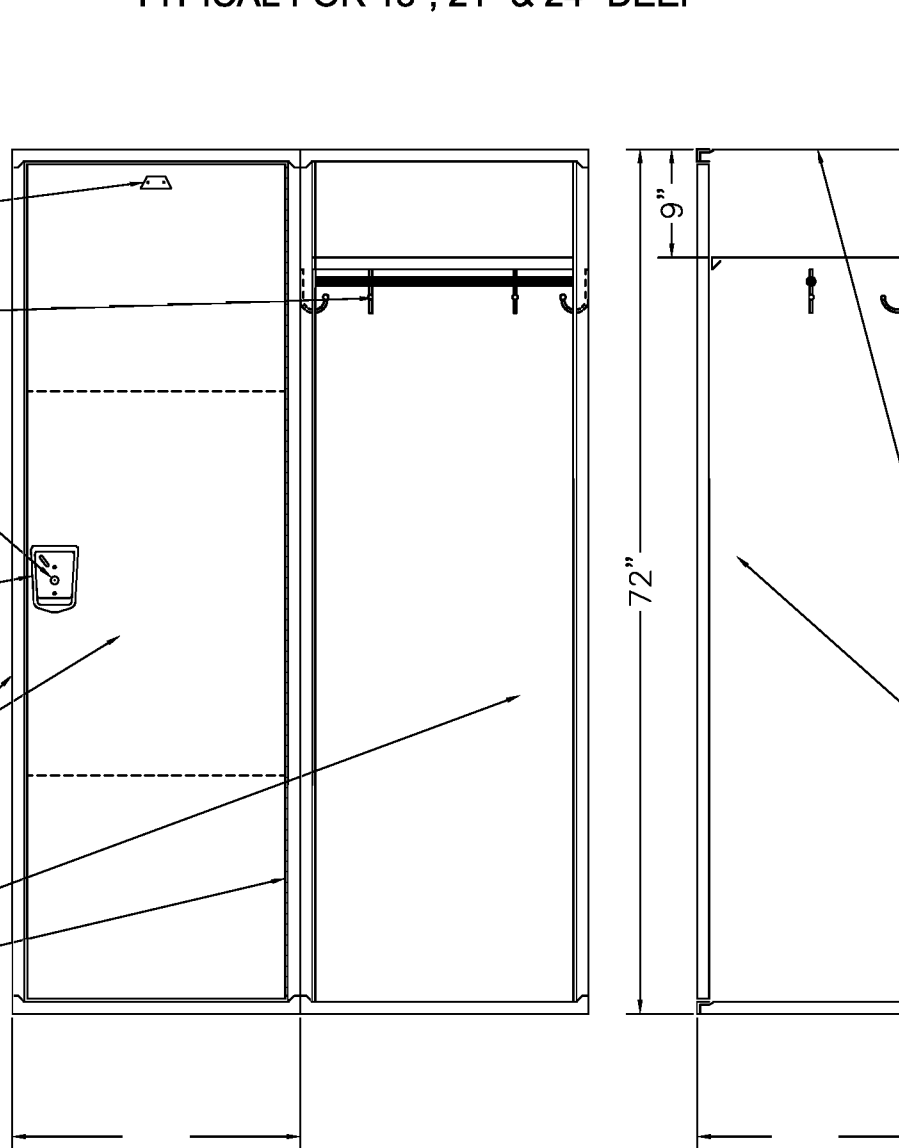
LOCK HOLE COVER PLATE

STAINLESS STEEL DEFIANT
HANDLE W/ PADLOCK HASP

16GA. FRAME ASSEMBLY &
14GA. SOLID DOOR W/
REINFORCMENT PAN

24GA. SOLID BACK

CONTINUOUS HINGE



ANCHOR LOCKERS TIGHT
TO WALL @ 36" O.C.
(ANCHORS BY OTHERS)

24GA. TOP, BOTTOM &
SHELF/TIER HEAD

24GA. SOLID DIVISION

ALLOW 1/16" CREEPAGE PER FRAME

60" HIGH SINGLE TIER GUARDIAN DEFIANT II LOCKER

TYPICAL FOR 12" WIDE
TYPICAL FOR 12" & 15" DEEP

ALUMINUM NUMBER PLATE
(FIELD INSTALL)

ONE DOUBLE PRONG CEILING
HOOK & THREE SINGLE PRONG
WALL HOOKS EACH OPENING
(FIELD INSTALL)

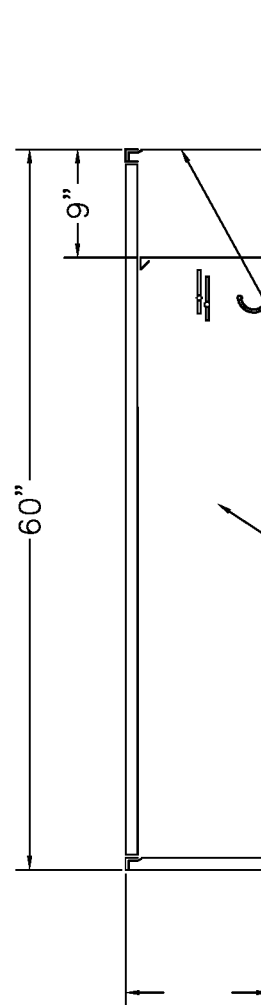
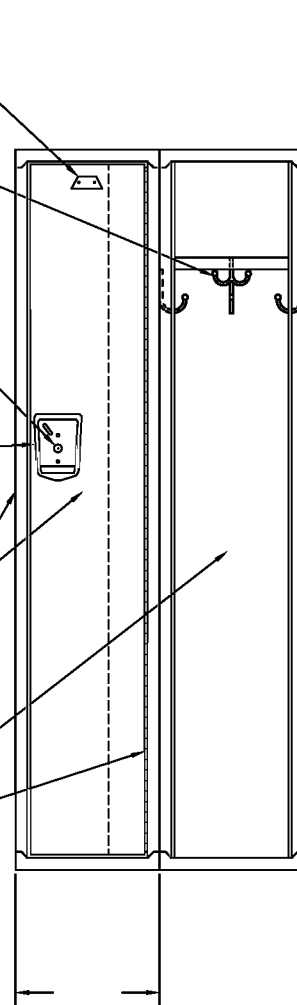
LOCK HOLE COVER PLATE

STAINLESS STEEL DEFIANT
HANDLE W/ PADLOCK HASP

16GA. FRAME ASSEMBLY &
14GA. SOLID DOOR W/
REINFORCMENT PAN

24GA. SOLID BACK

CONTINUOUS HINGE



ANCHOR LOCKERS TIGHT
TO WALL @ 36" O.C.
(ANCHORS BY OTHERS)

24GA. TOP, BOTTOM &
SHELF/TIER HEAD

24GA. SOLID DIVISION

ALLOW 1/16" CREEPAGE PER FRAME

60" HIGH SINGLE TIER GUARDIAN DEFIANT II LOCKER

TYPICAL FOR 15" & 18" WIDE
TYPICAL FOR 18", 21" & 24" DEEP

ALUMINUM NUMBER PLATE
(FIELD INSTALL)

ONE COAT ROD AND
FOUR SINGLE PRONG
WALL HOOKS EACH OPENING
(FIELD INSTALL)

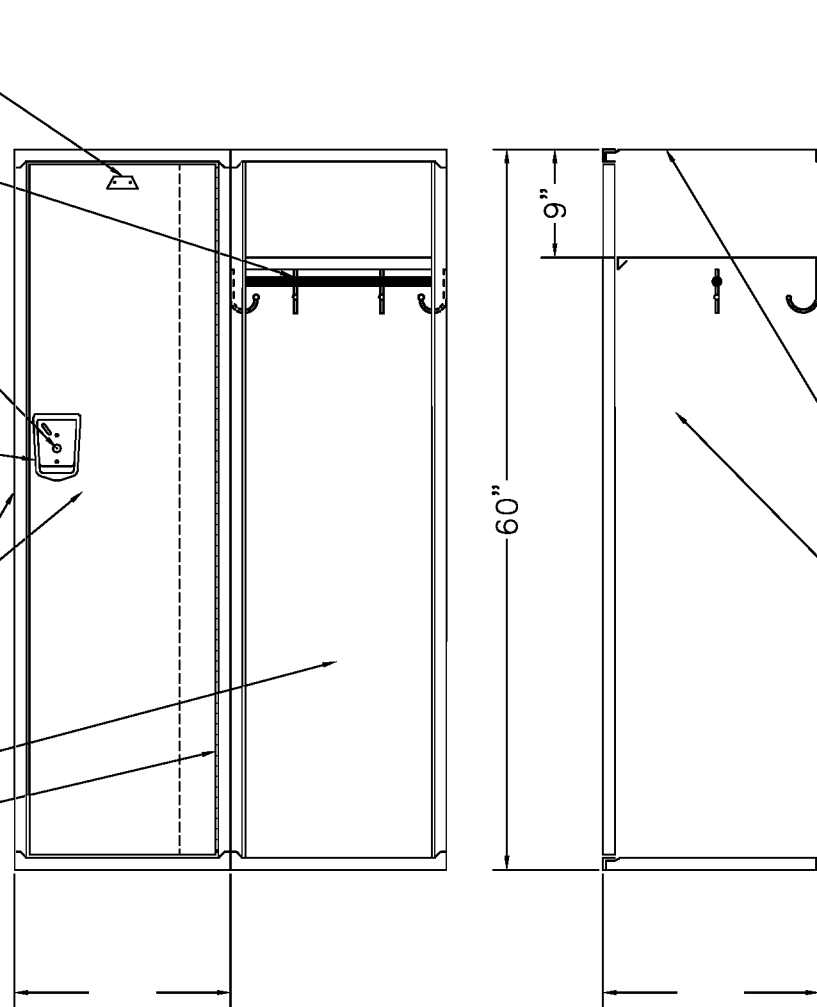
LOCK HOLE COVER PLATE

STAINLESS STEEL DEFIANT
HANDLE W/ PADLOCK HASP

16GA. FRAME ASSEMBLY &
14GA. SOLID DOOR W/
REINFORCMENT PAN

24GA. SOLID BACK

CONTINUOUS HINGE



ANCHOR LOCKERS TIGHT
TO WALL @ 36" O.C.
(ANCHORS BY OTHERS)

24GA. TOP, BOTTOM &
SHELF/TIER HEAD

24GA. SOLID DIVISION

ALLOW 1/16" CREEPAGE PER FRAME

60" HIGH SINGLE TIER GUARDIAN DEFIANT II LOCKER

TYPICAL FOR 15" & 18" WIDE

TYPICAL FOR 12" & 15" DEEP

ALUMINUM NUMBER PLATE
(FIELD INSTALL)

ONE DOUBLE PRONG CEILING
HOOK & FOUR SINGLE PRONG
WALL HOOKS EACH OPENING
(FIELD INSTALL)

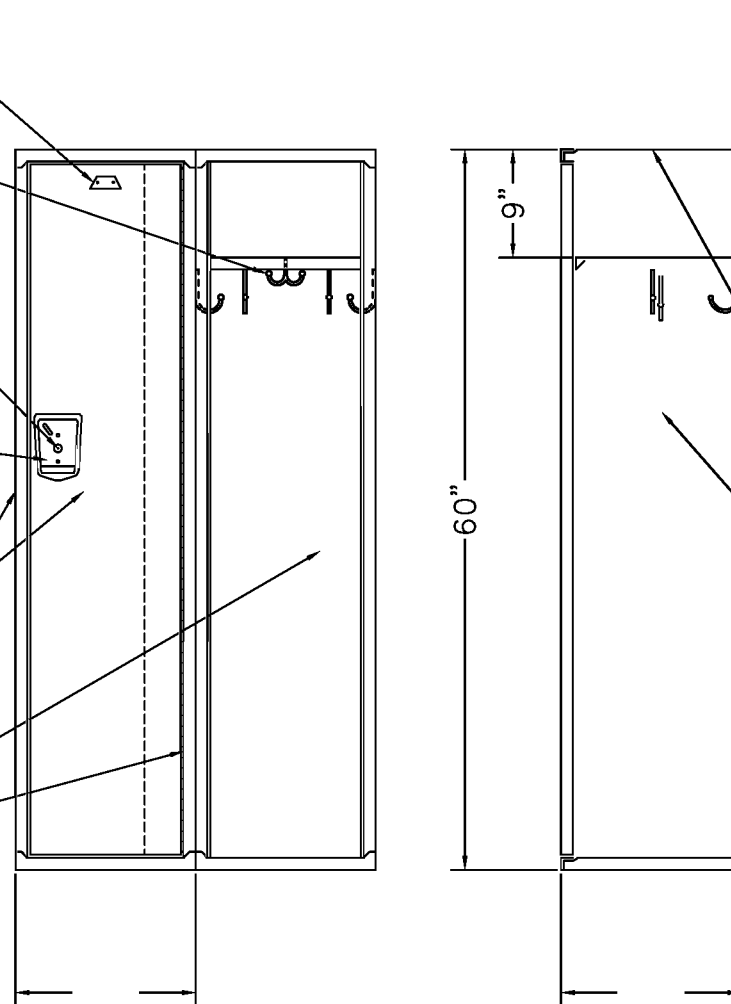
LOCK HOLE COVER PLATE

STAINLESS STEEL DEFIANT
HANDLE W/ PADLOCK HASP

16GA. FRAME ASSEMBLY &
14GA. SOLID DOOR W/
REINFORCMENT PAN

24GA. SOLID BACK

CONTINUOUS HINGE



ANCHOR LOCKERS TIGHT
TO WALL @ 36" O.C.
(ANCHORS BY OTHERS)

24GA. TOP, BOTTOM &
SHELF/TIER HEAD

24GA. SOLID DIVISION

ALLOW 1/16" CREEPAGE PER FRAME

60" HIGH SINGLE TIER GUARDIAN DEFIANT II LOCKER

TYPICAL FOR 12" WIDE
TYPICAL FOR 18" & 21" DEEP

ALUMINUM NUMBER PLATE
(FIELD INSTALL)

ONE COAT ROD AND
THREE SINGLE PRONG
WALL HOOKS EACH OPENING
(FIELD INSTALL)

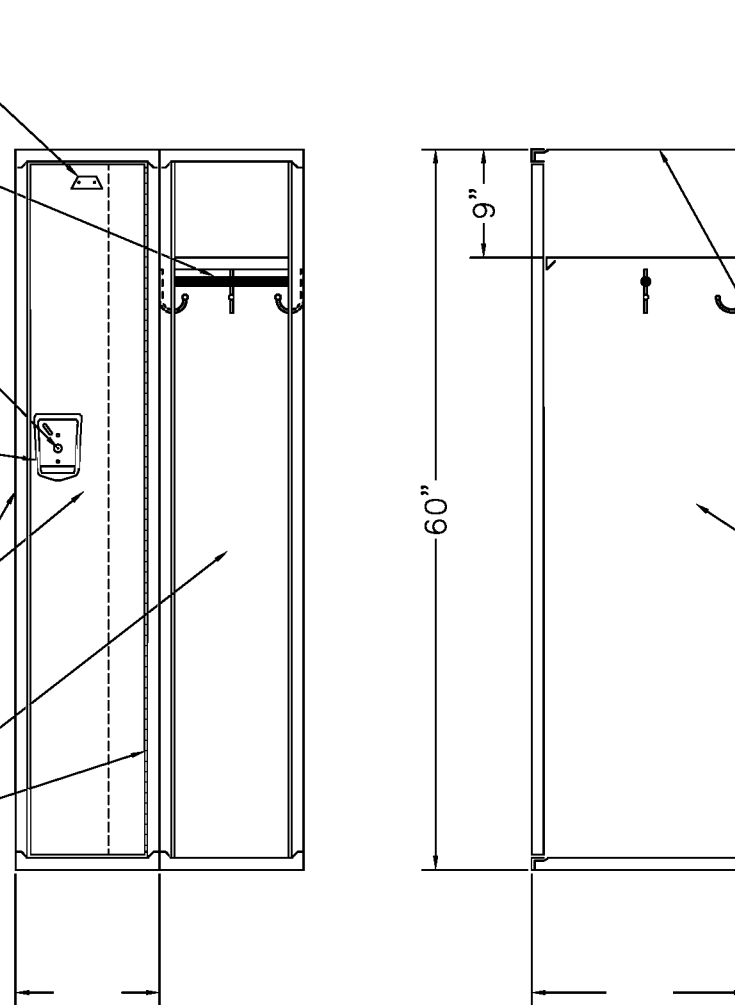
LOCK HOLE COVER PLATE

STAINLESS STEEL DEFIANT
HANDLE W/ PADLOCK HASP

16GA. FRAME ASSEMBLY &
14GA. SOLID DOOR W/
REINFORCMENT PAN

24GA. SOLID BACK

CONTINUOUS HINGE



ANCHOR LOCKERS TIGHT
TO WALL @ 36" O.C.
(ANCHORS BY OTHERS)

24GA. TOP, BOTTOM &
SHELF/TIER HEAD

24GA. SOLID DIVISION

ALLOW 1/16" CREEPAGE PER FRAME

60" HIGH SINGLE TIER GUARDIAN DEFIANT II LOCKER

TYPICAL FOR > 18" WIDE
TYPICAL FOR 18", 21" & 24" DEEP

ALUMINUM NUMBER PLATE
(FIELD INSTALL)

ONE COAT ROD AND
FOUR SINGLE PRONG
WALL HOOKS EACH OPENING
(FIELD INSTALL)

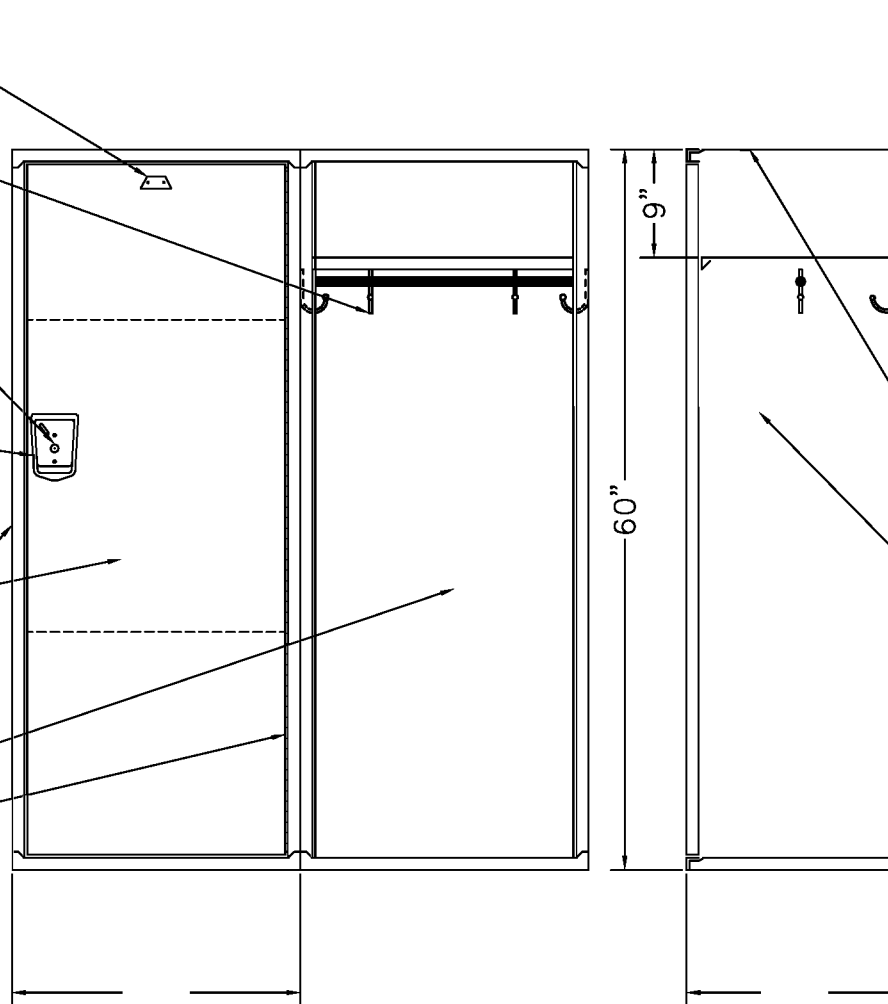
LOCK HOLE COVER PLATE

STAINLESS STEEL DEFIANT
HANDLE W/ PADLOCK HASP

16GA. FRAME ASSEMBLY &
14GA. SOLID DOOR W/
REINFORCMENT PAN

24GA. SOLID BACK

CONTINUOUS HINGE



ANCHOR LOCKERS TIGHT
TO WALL @ 36" O.C.
(ANCHORS BY OTHERS)

24GA. TOP, BOTTOM &
SHELF/TIER HEAD

24GA. SOLID DIVISION

ALLOW 1/16" CREEPAGE PER FRAME