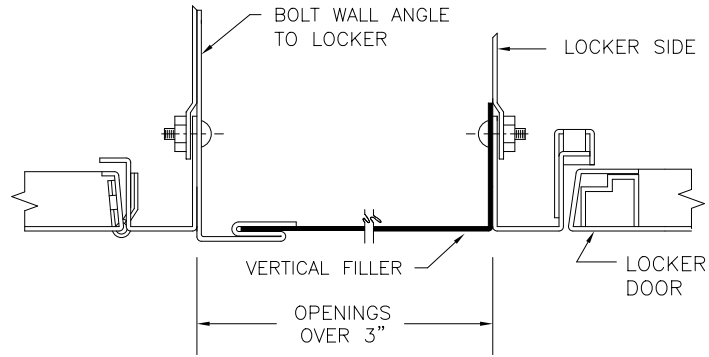
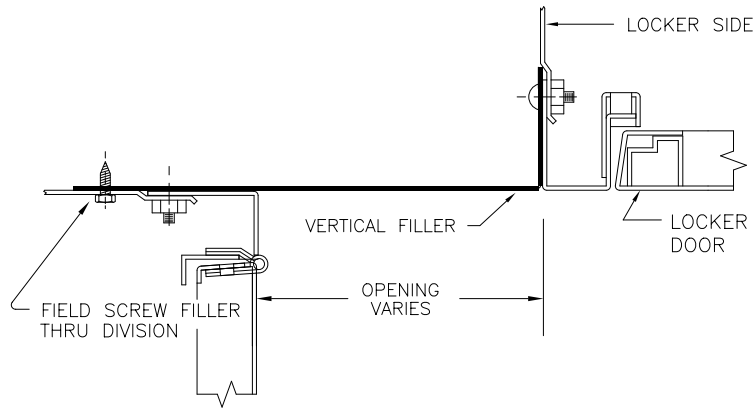


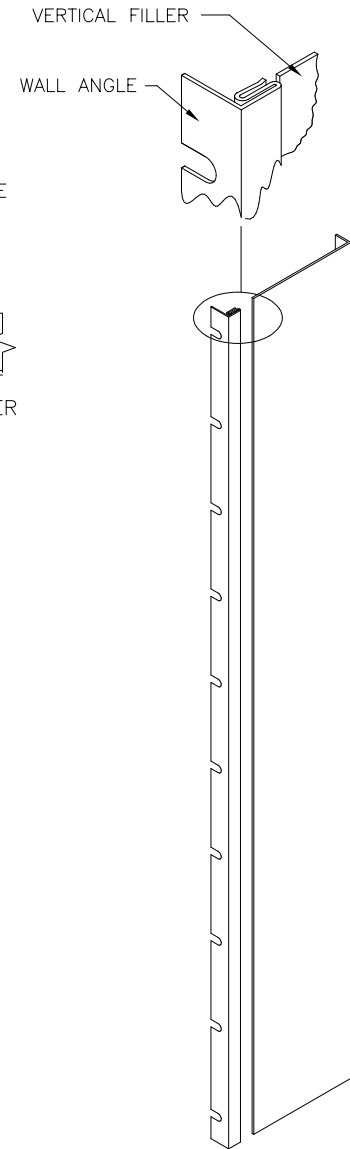
DETAIL @ VERTICAL FILLER
LOCKER TO WALL CONDITION



DETAIL @ VERTICAL FILLER
LOCKER TO LOCKER CONDITION



DETAIL @ VERTICAL FILLER
CORNER CONDITION



FILLER AND WALL ANGLE

FILLER DETAILS

This drawing shows a standard Penco Product. Any modifications to the product must be approved by Penco Engineering. 8/6/2001



FILLER-1.dwg