






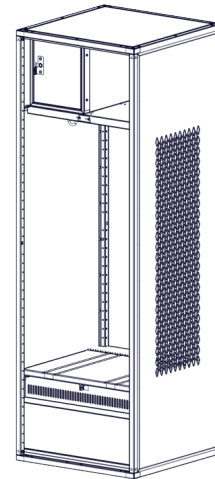


Fasteners & Tools Needed

The following items are in the hardware kit shipped with the locker:

- 8615–Number plate 
- 8671–Aluminum Rivet 
- 8621- Steel rivet 
- 8709-Screw 
- 8696- Coat Hook, 
- 8717 Coat Rod Hook 
- 6CR___-Coat Rod 



STEP 1- Check Parts

Unpack the component pieces for the basic locker. You should have two sides, a back, a top, shelf, coat rod hooks, coat rod, coat hooks, and bottom, for the locker body. Options could include security box and/or foot locker

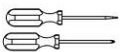
You will need these tools to assemble the Stadium locker.

Rivet gun.

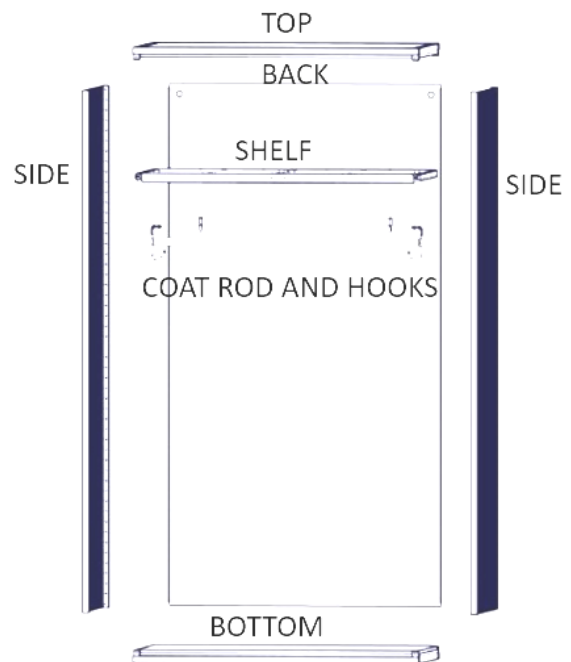
Drill with #3 Philips bit



Flat blade and Phillips head screwdrivers.



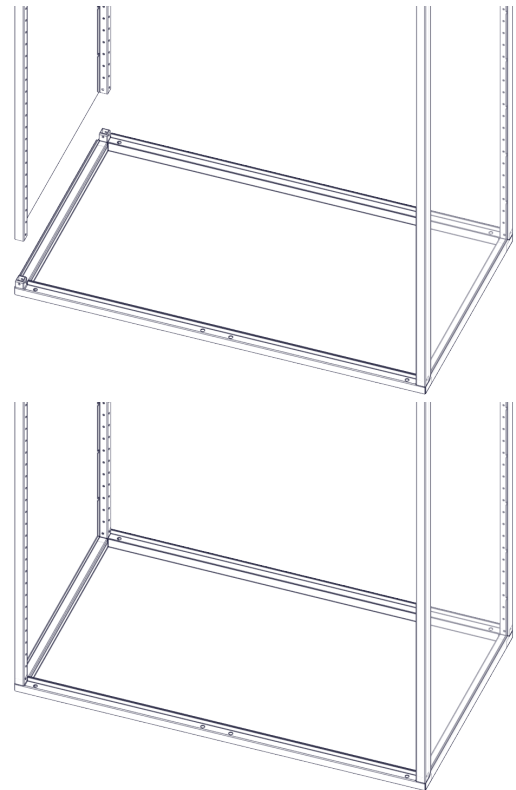
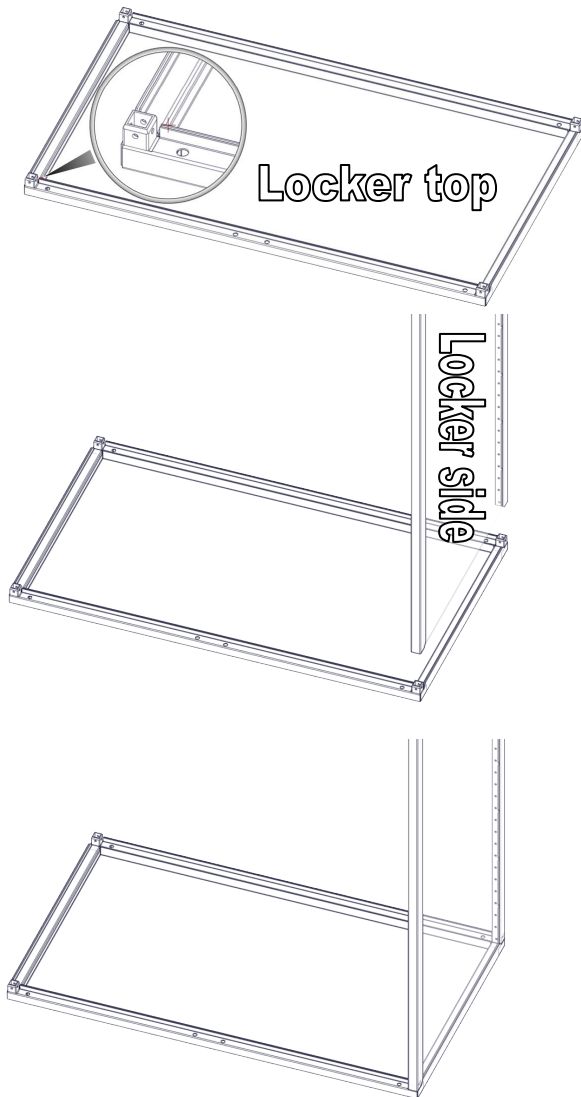
Stepladder



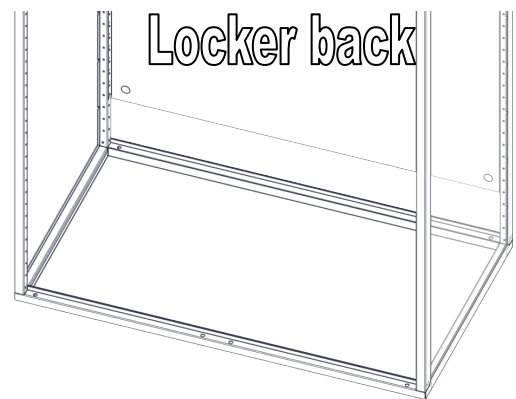
Note- Assemble locker upside down to allow screw insertion into underside of locker bottom. Images shown may differ from your locker, as there are different configuration options. Some parts show with transparency in these instructions to add clarity to assembly.

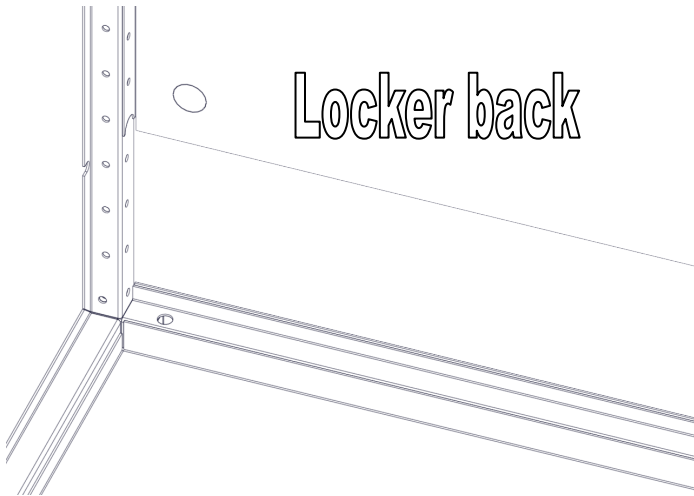
STEP 2 – Assemble the locker body

2A- Lay locker top on flat surface on the ground. Insert the two sides onto the cast corner pieces of the top assembly.

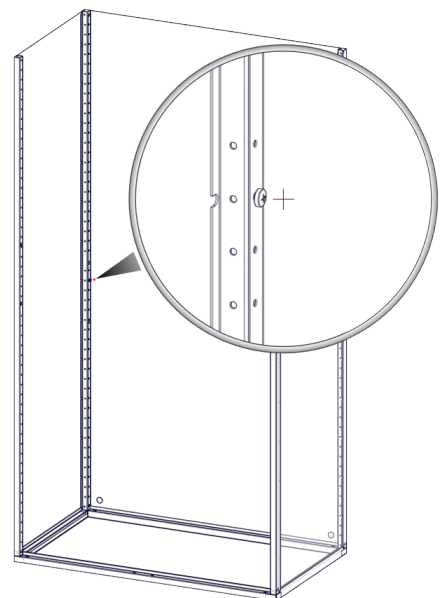
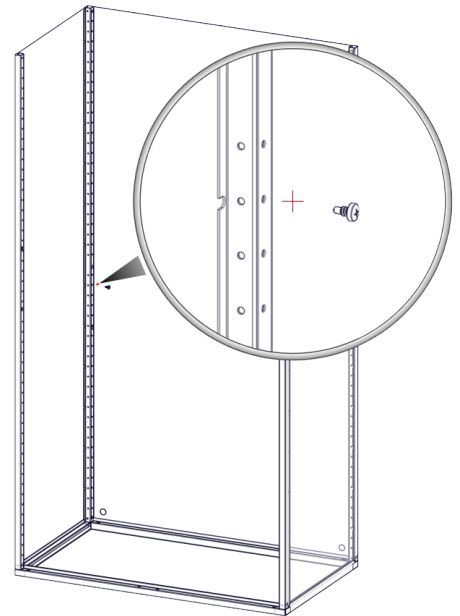
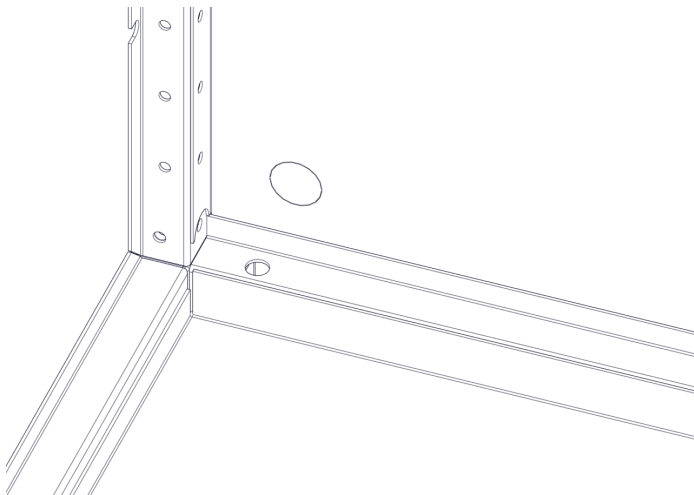


2B-1 Insert locker back into slot of the top.





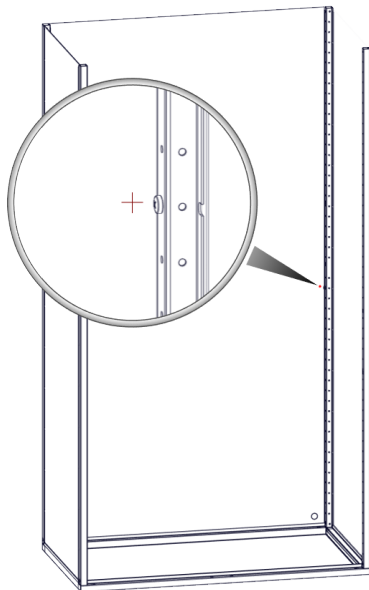
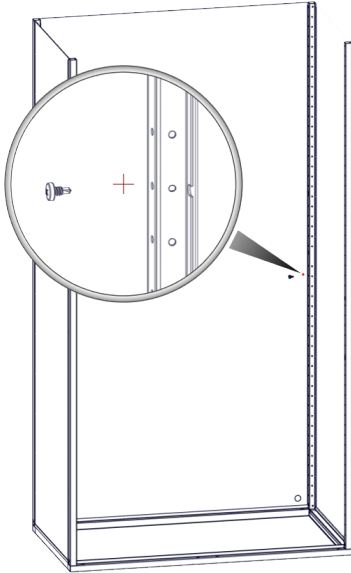
2B-2 With the back inserted install one 8709 screw on each side of the back about half way up. Note holes are to align to make sure back is in proper position.



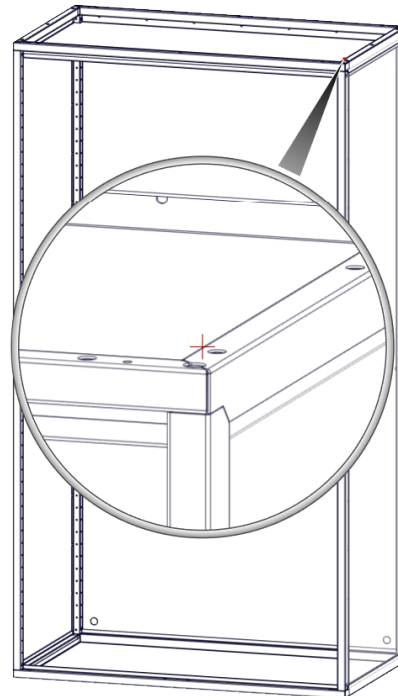
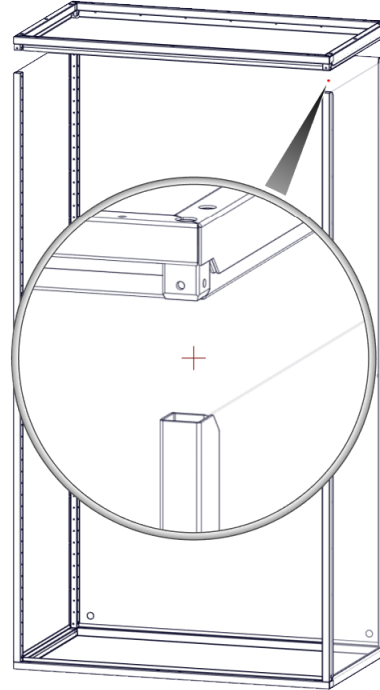
Stadium Fully Framed LOCKER – KD Assembly Instructions



2C-1 Insert cast corner pieces of locker bottom into the side channels.



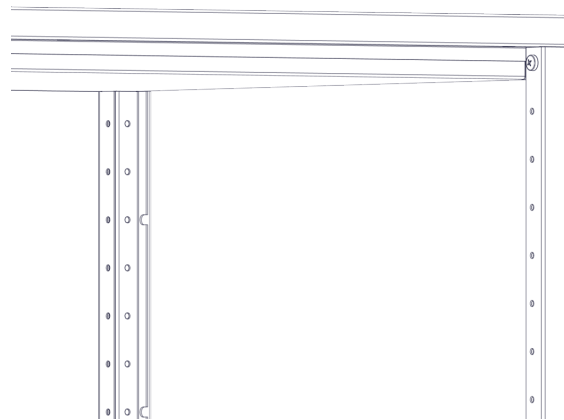
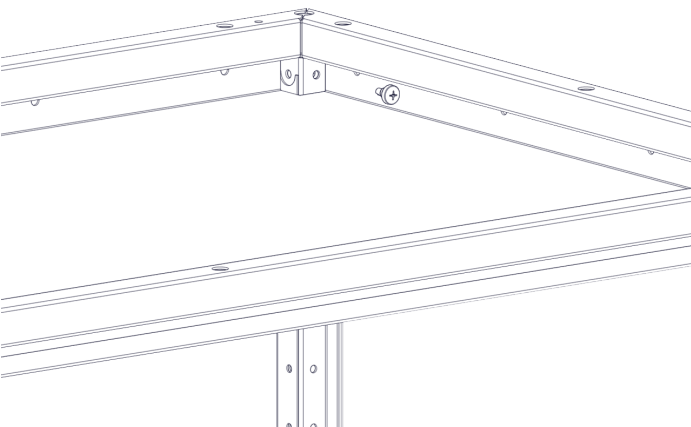
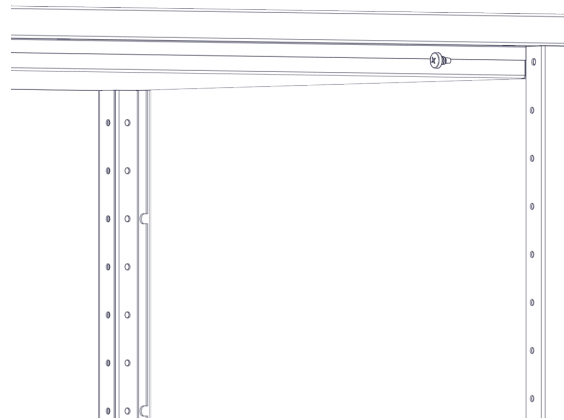
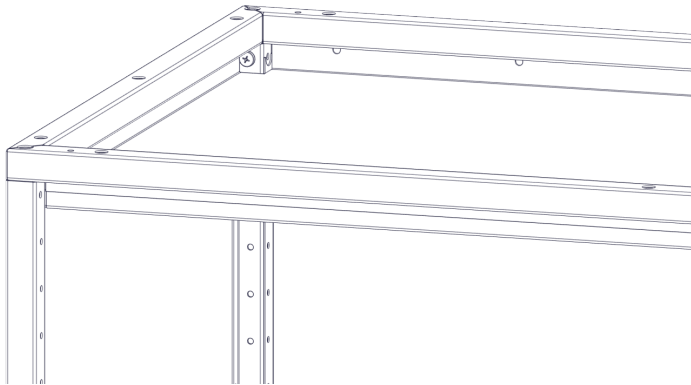
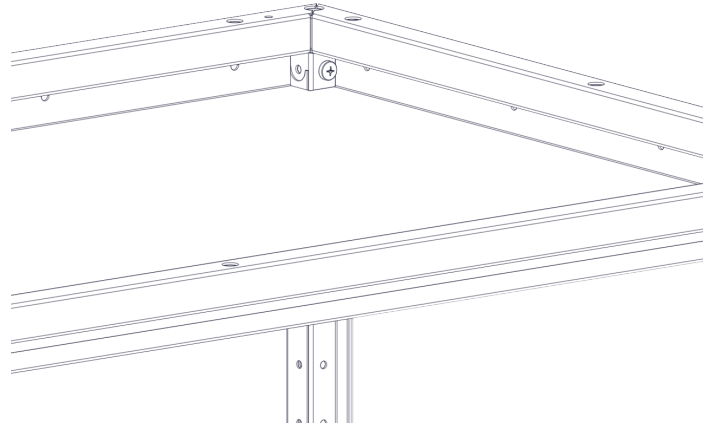
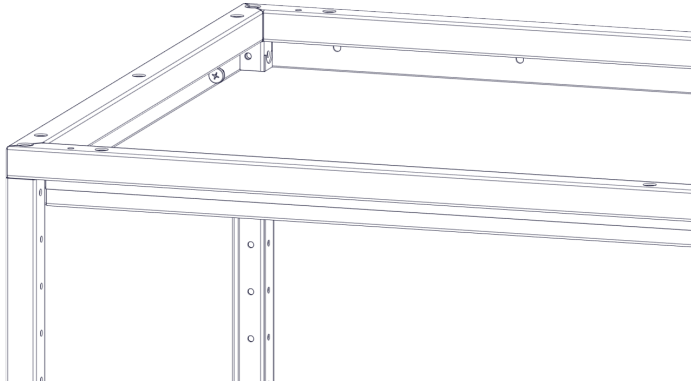
Locker bottom



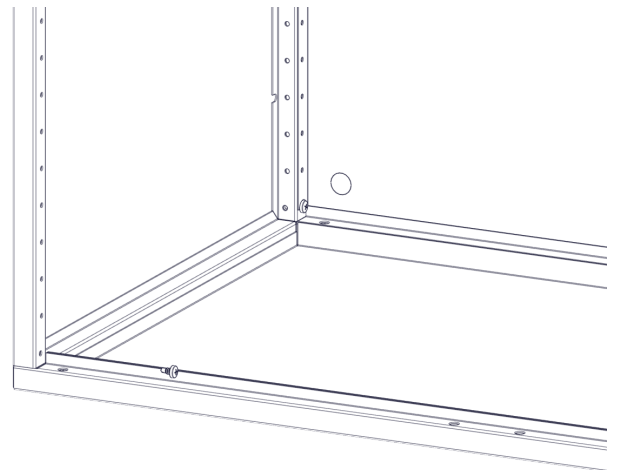
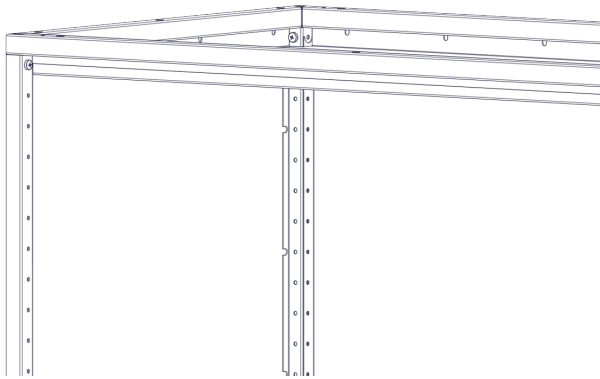
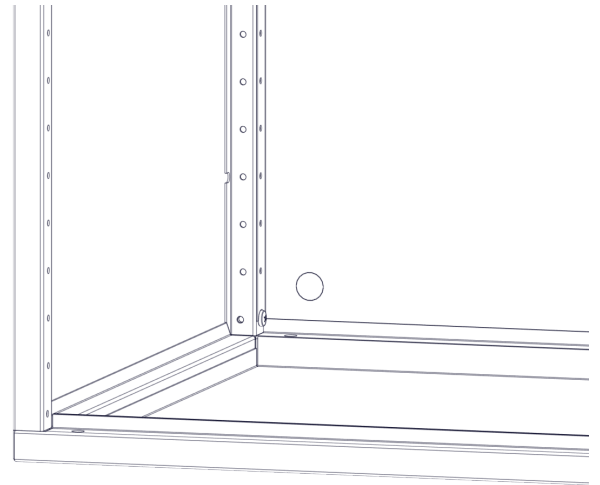
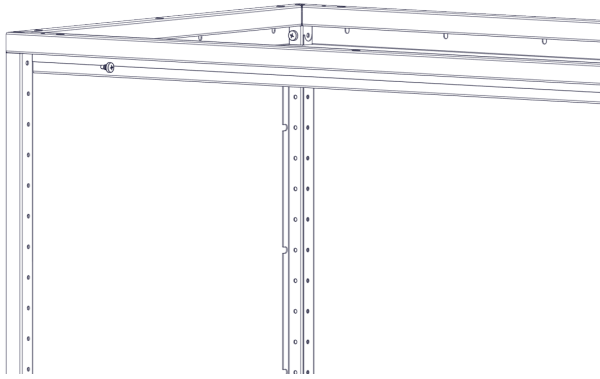
Stadium Fully Framed LOCKER – KD Assembly Instructions



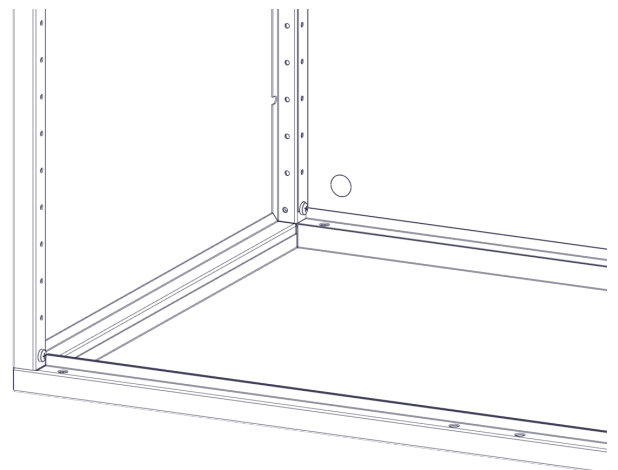
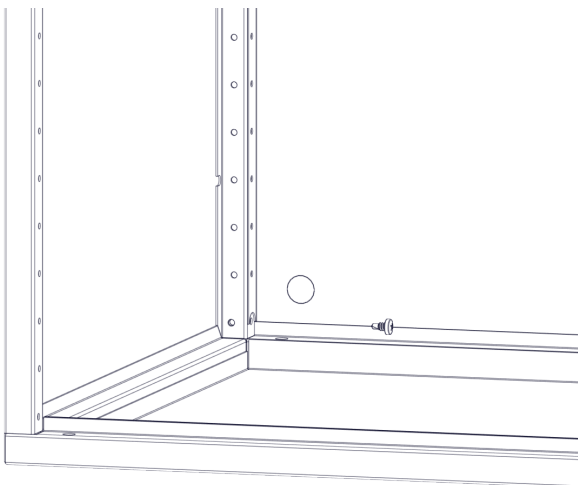
2C-2 Install one screw into each corner of the locker bottom as shown.



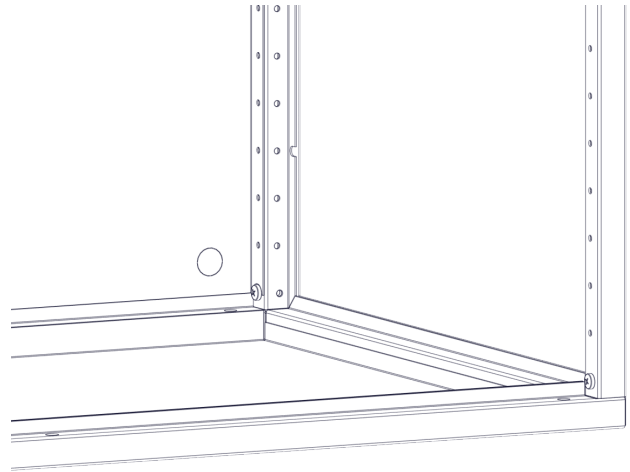
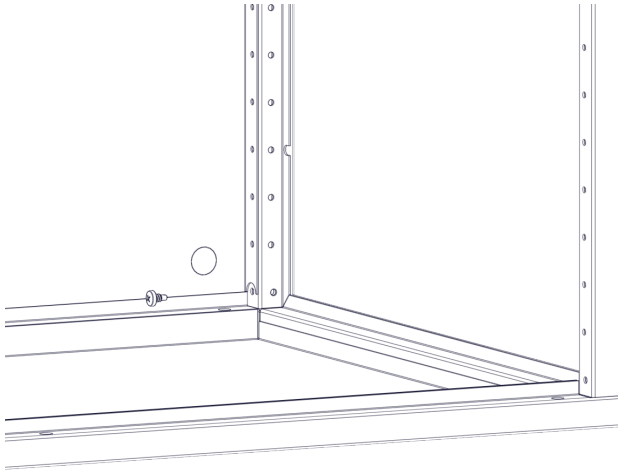
Stadium Fully Framed LOCKER – KD Assembly Instructions



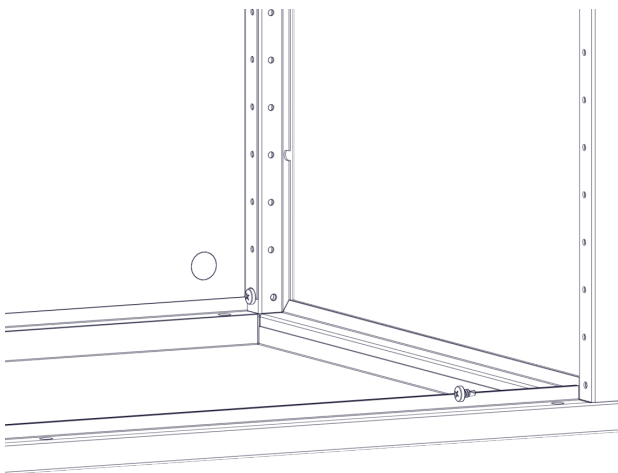
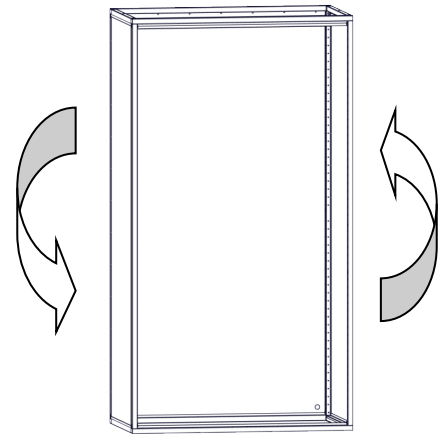
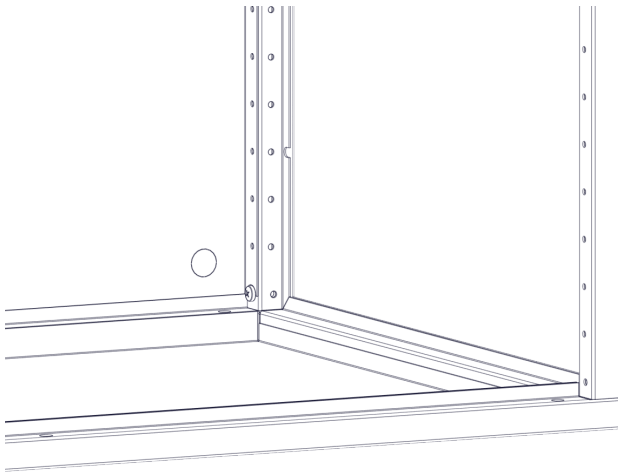
2D- Next install one screw into the locker top in each corner as shown.



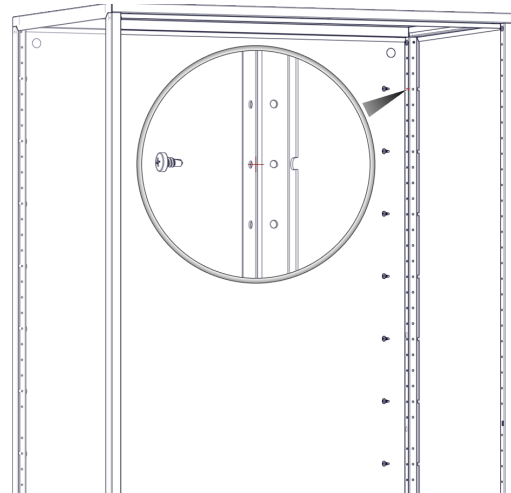
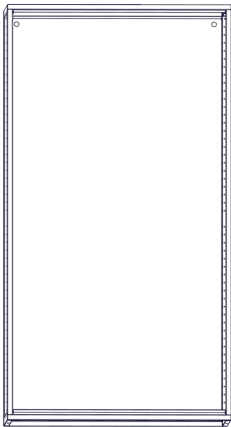
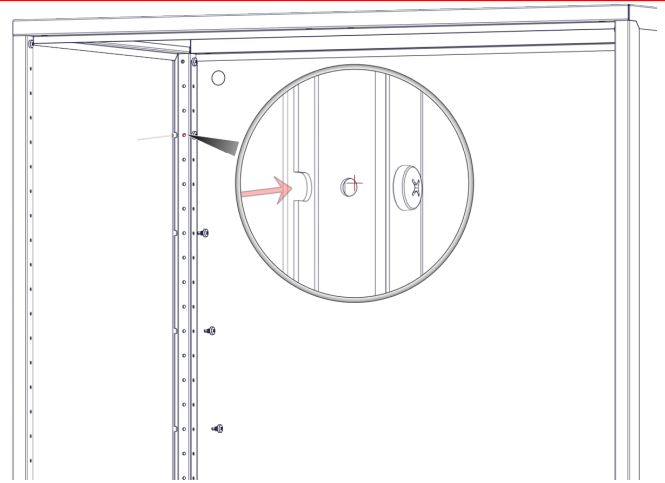
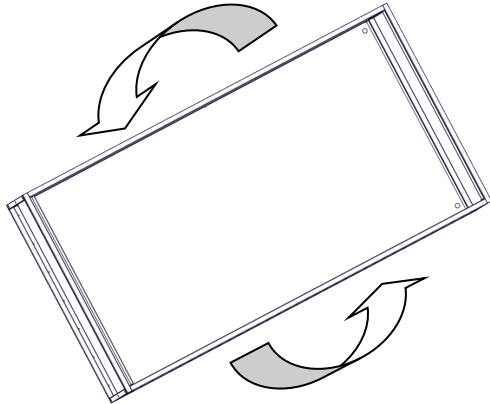
Stadium Fully Framed LOCKER – KD Assembly Instructions



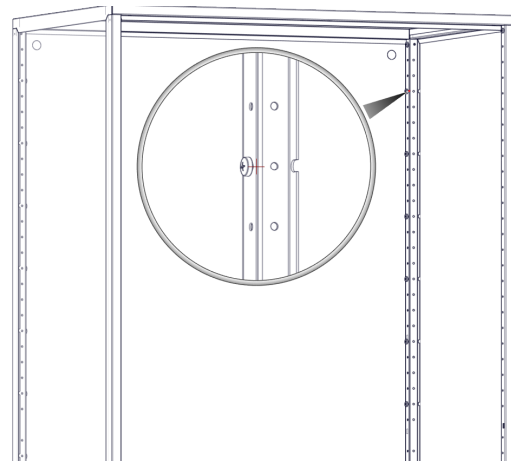
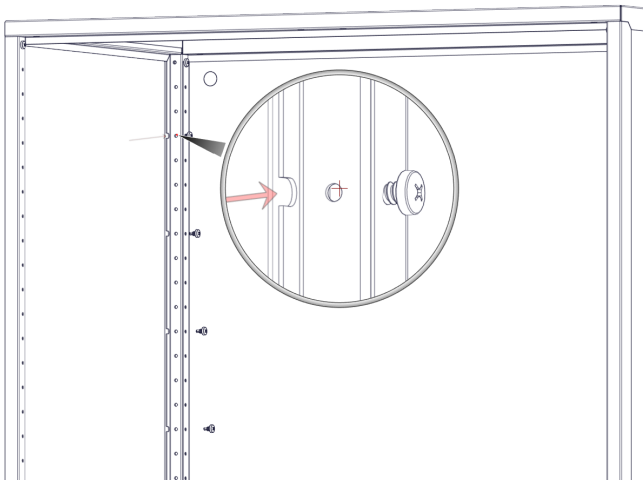
2E- Now rotate locker body so the bottom is on the ground.



Stadium Fully Framed LOCKER – KD Assembly Instructions



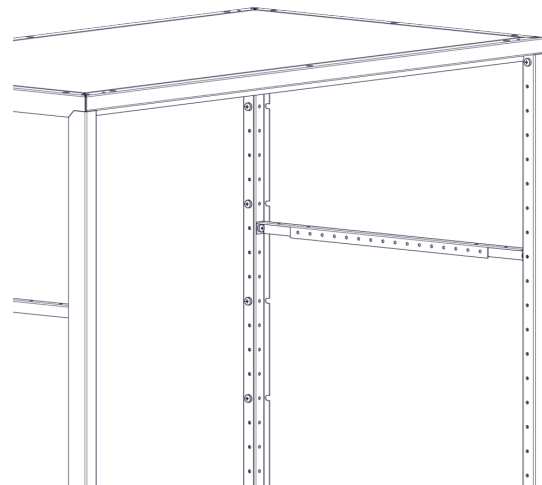
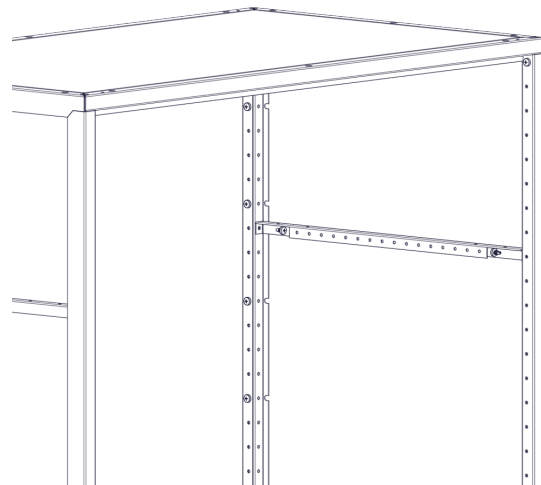
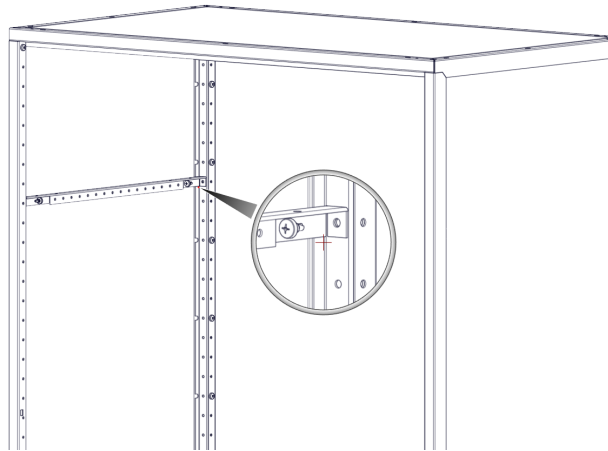
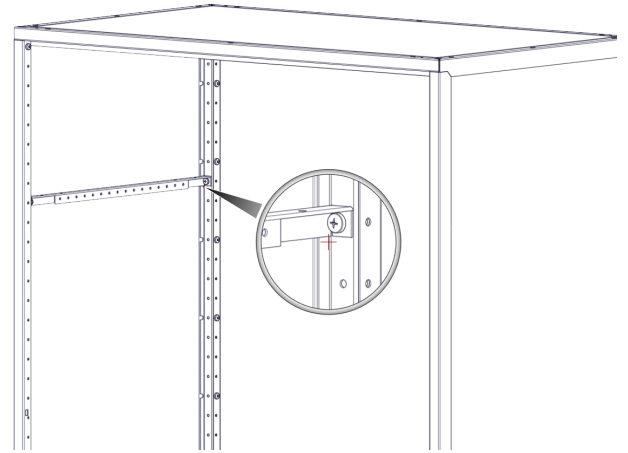
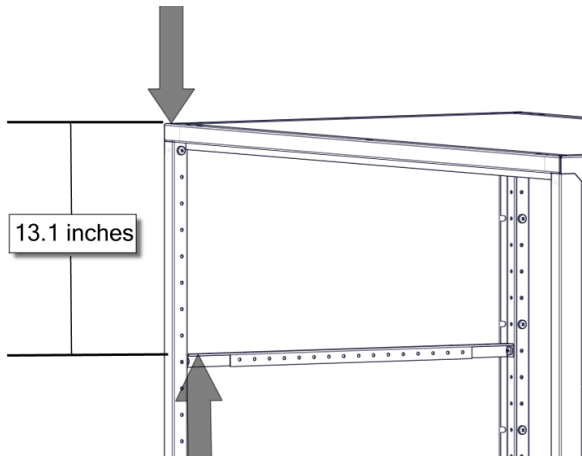
2F-Install screws to locker back at U cut locations (6 inch intervals) on each side.



Stadium Fully Framed LOCKER – KD Assembly Instructions



2G-1 Install mounting rails for shelf using one 8607 screw in the front upright and back upright. Location of rail should be 13.1 inches from the top outside corner of the locker to the top of the rail.

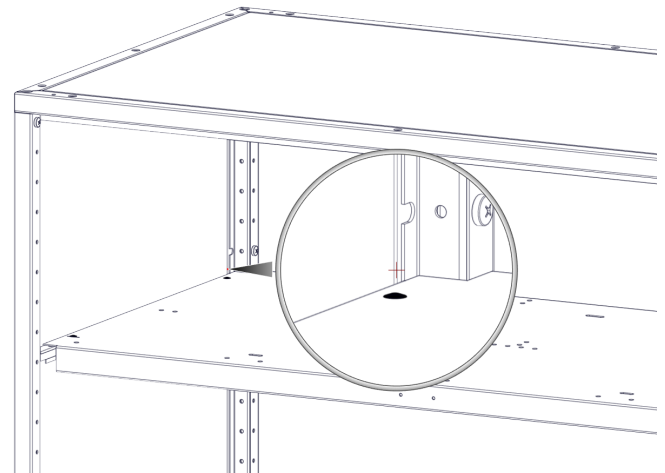
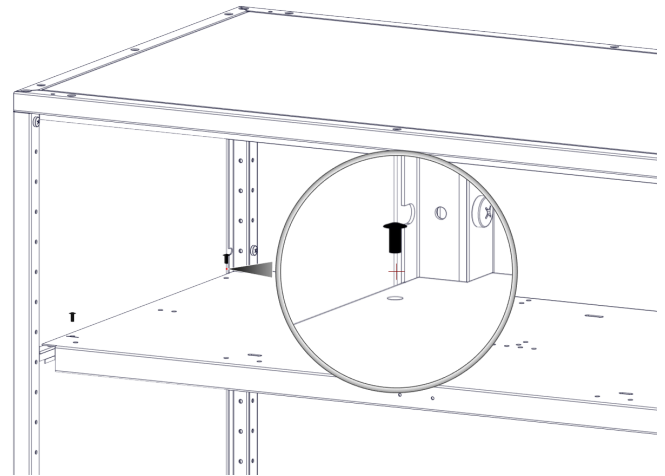
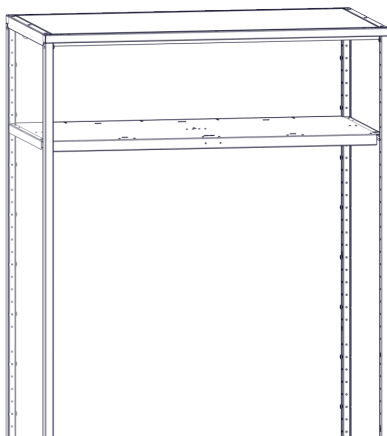
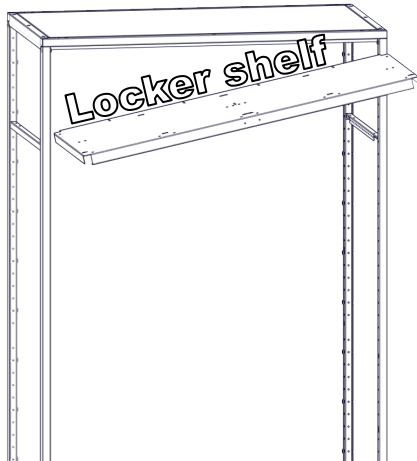


Stadium Fully Framed LOCKER – KD

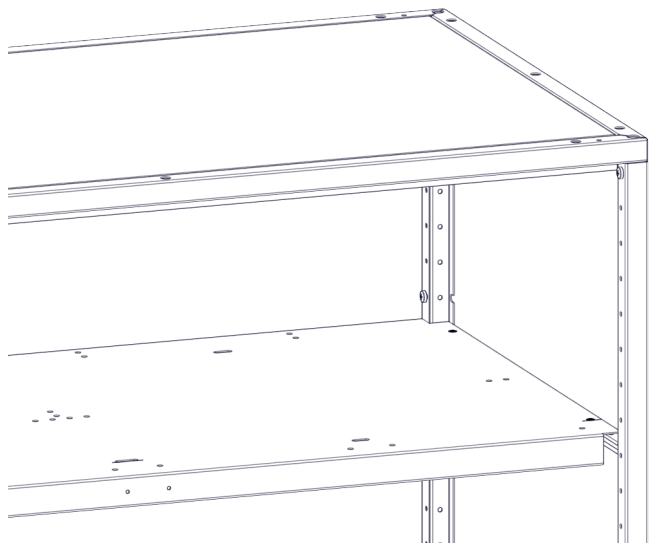
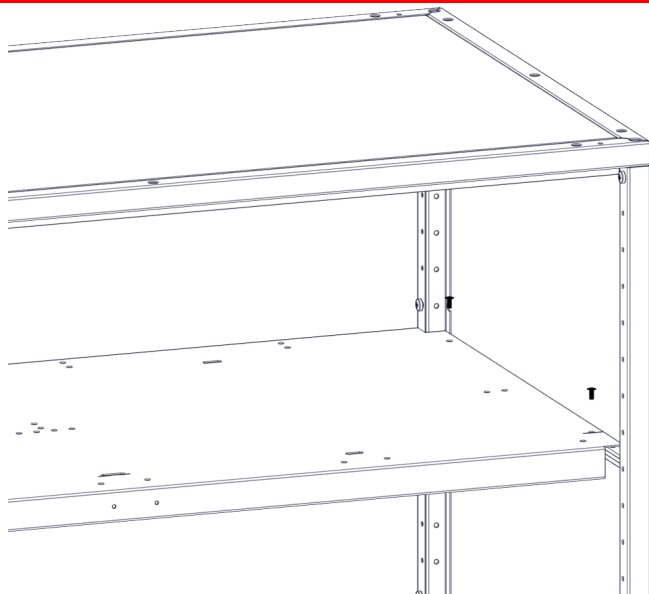
Assembly Instructions



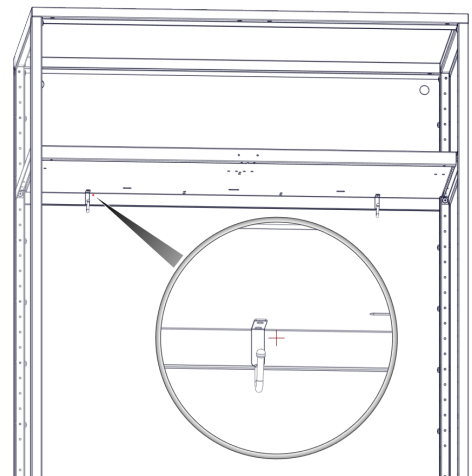
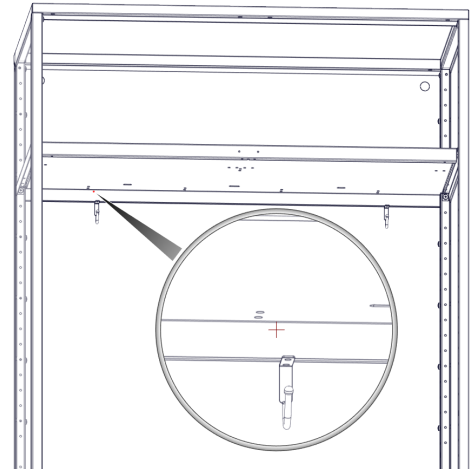
2G-2 Insert shelf and attach shelf to rails using one rivet in each corner.



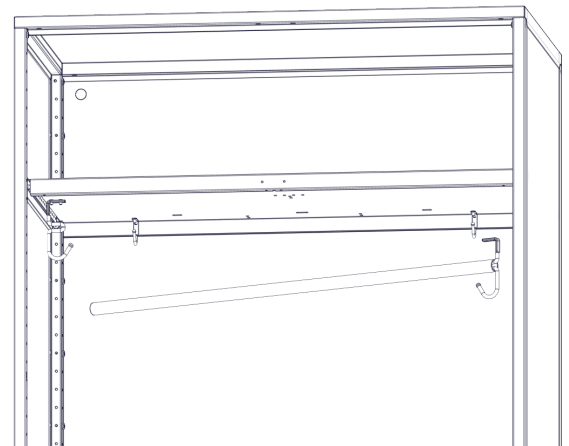
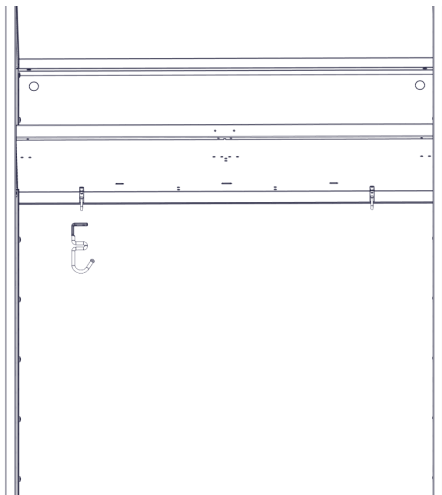
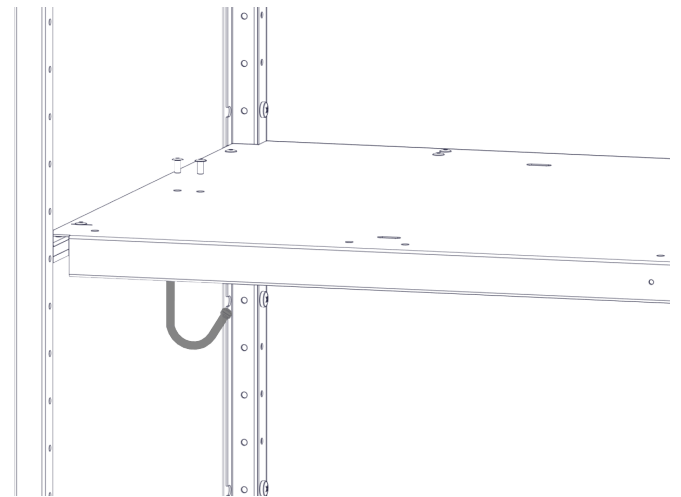
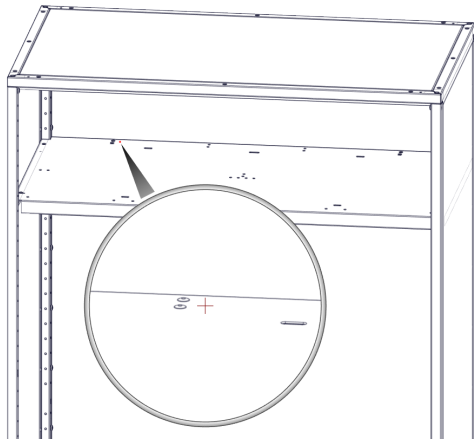
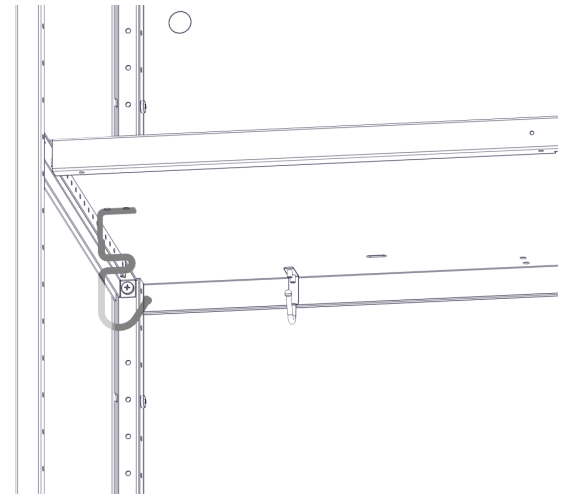
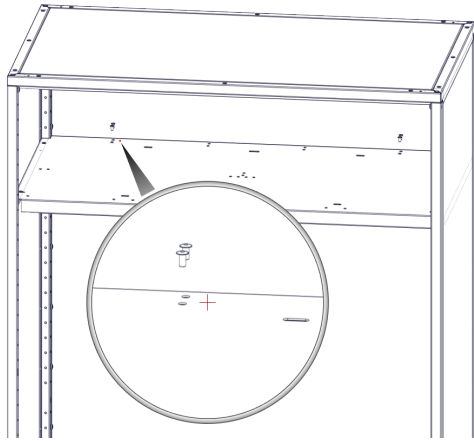
Stadium Fully Framed LOCKER – KD Assembly Instructions



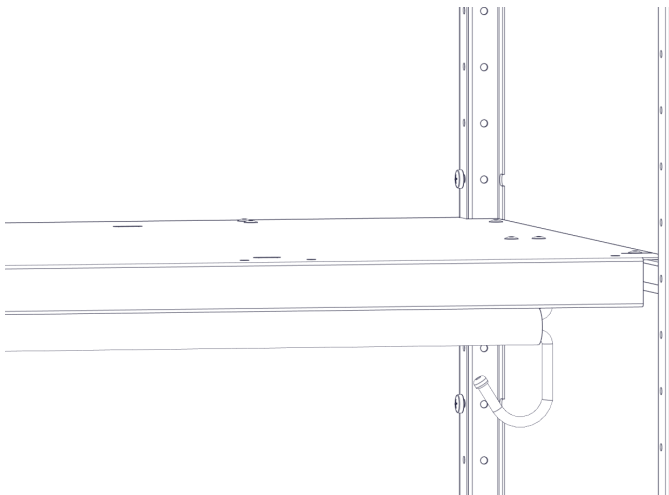
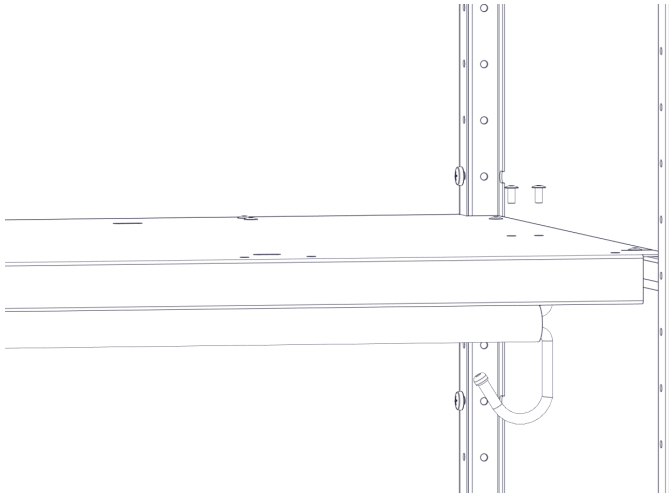
2H-Now install 8696, 8717 coat hooks, and coat rod using two rivets per hook.



Stadium Fully Framed LOCKER – KD Assembly Instructions

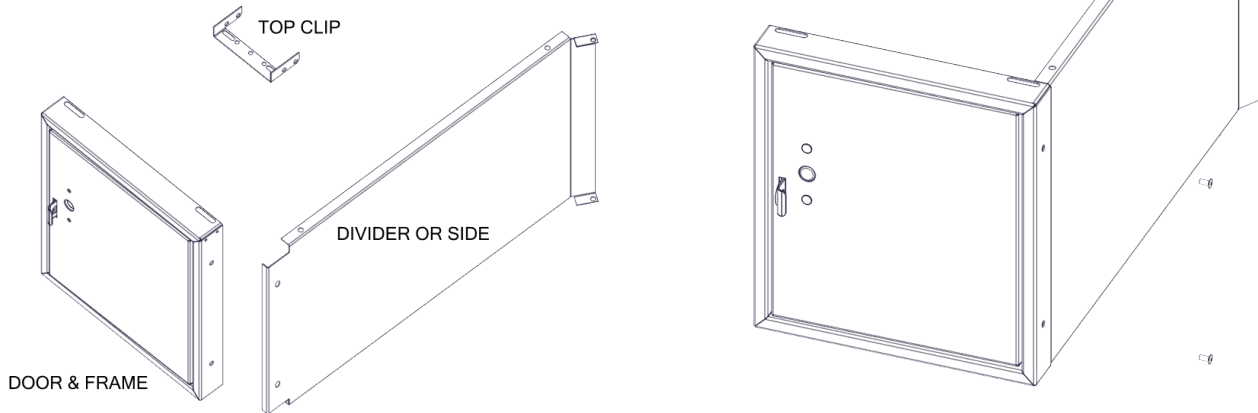


Stadium Fully Framed LOCKER – KD Assembly Instructions

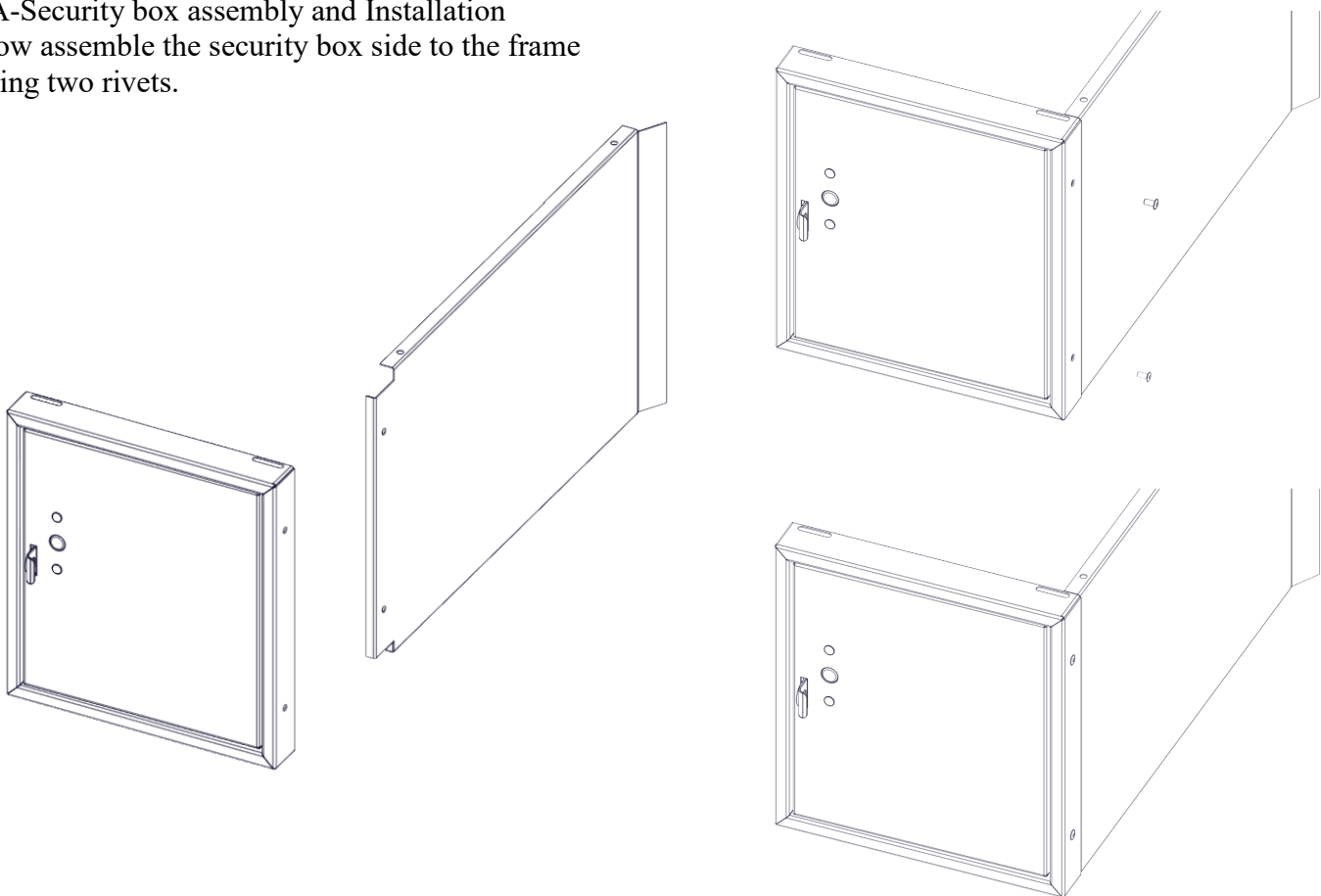


STEP 3 – Assemble and install optional security box.

Parts:



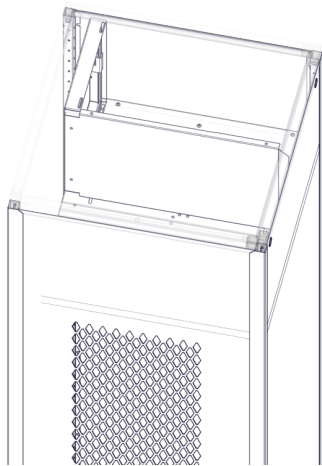
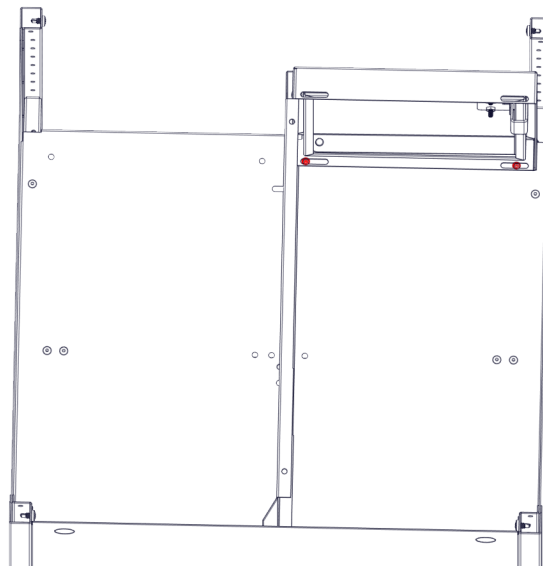
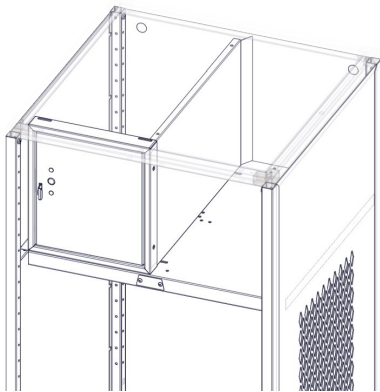
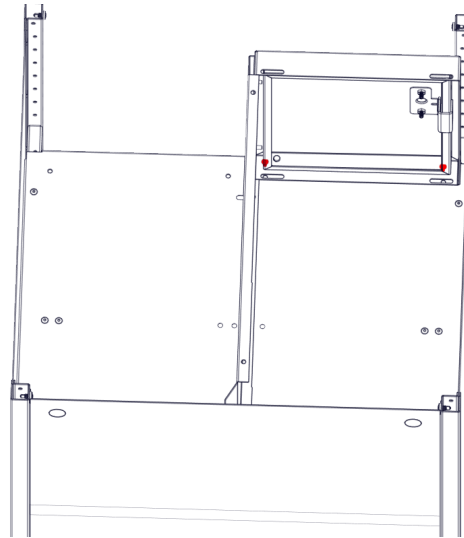
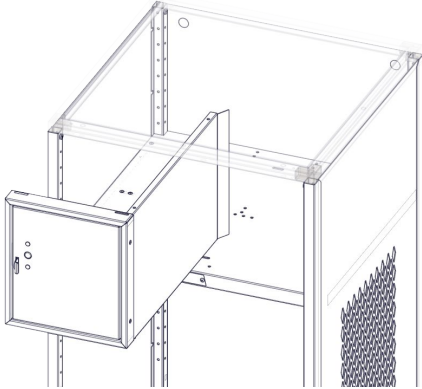
3A-Security box assembly and Installation
Now assemble the security box side to the frame using two rivets.



Stadium Fully Framed LOCKER – KD Assembly Instructions



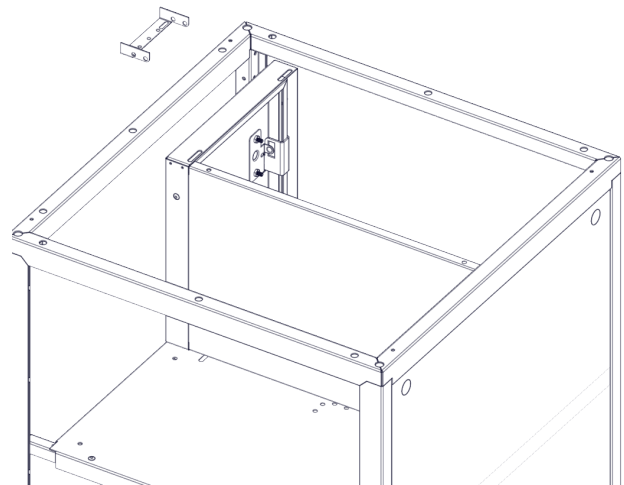
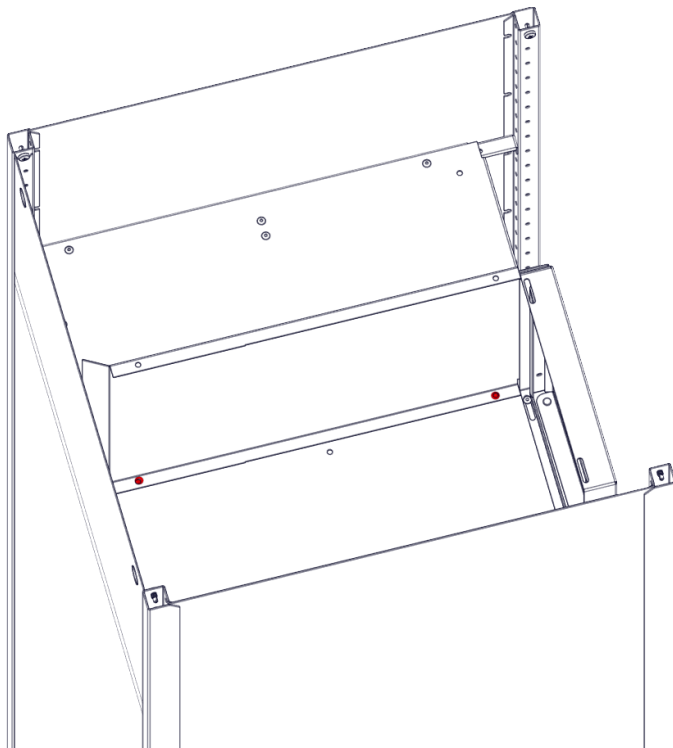
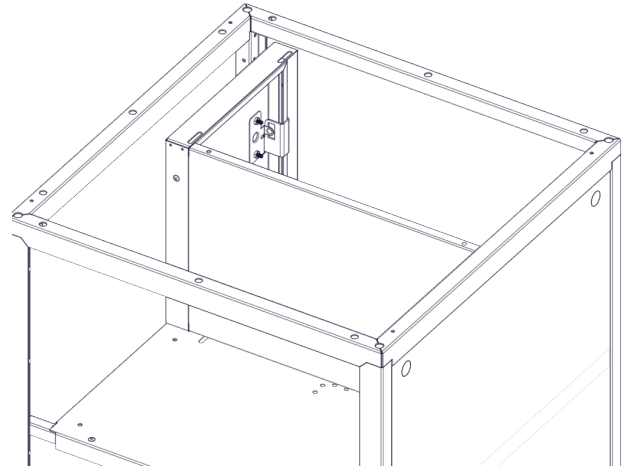
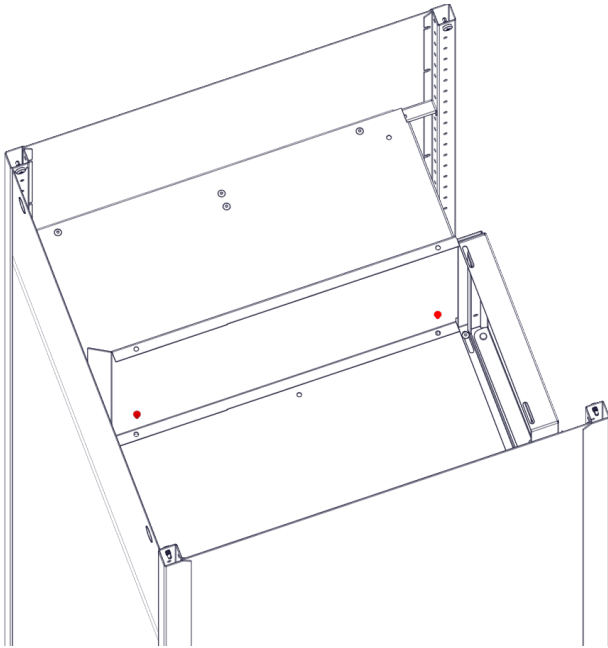
3B- Install security box by sliding it onto the shelf in the appropriate position and secure it using four rivets as shown.



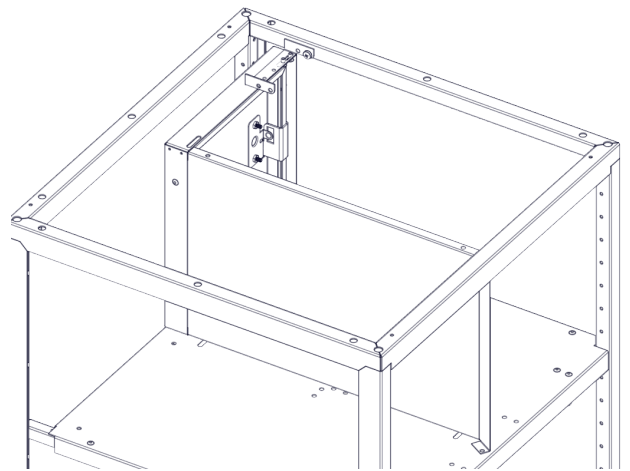
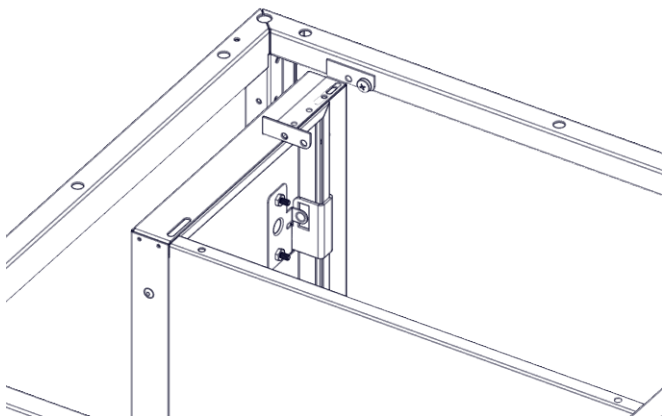
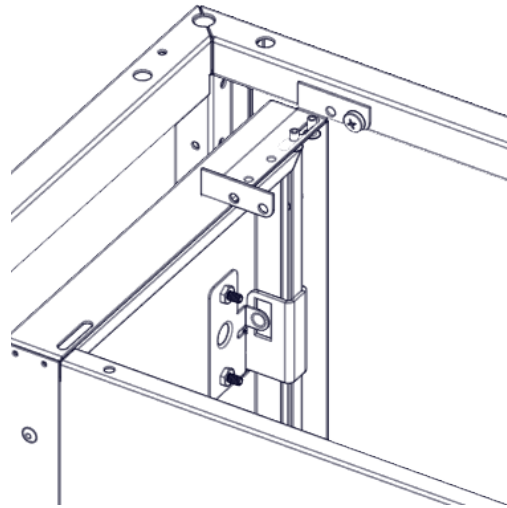
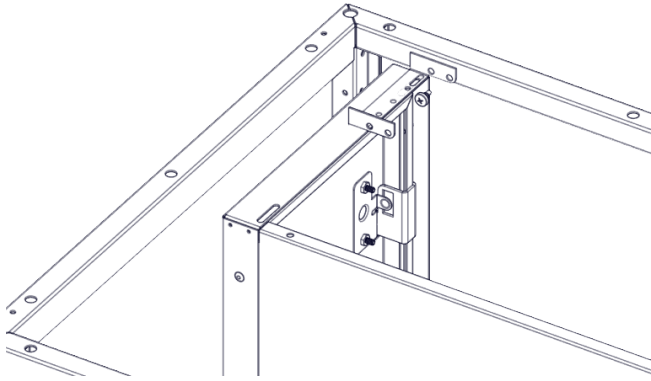
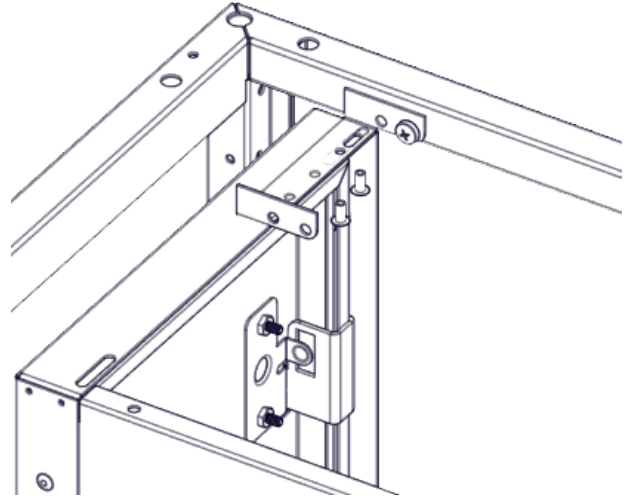
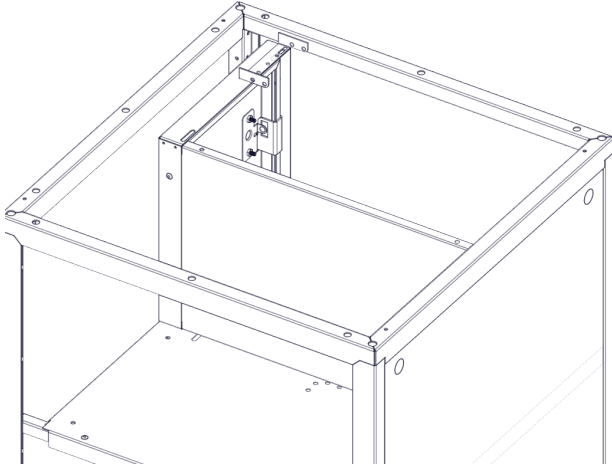
Stadium Fully Framed LOCKER – KD Assembly Instructions



3C- Install top clip to locker top rail and door frame using screw and rivets as shown.



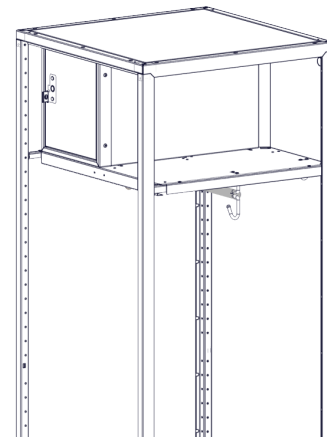
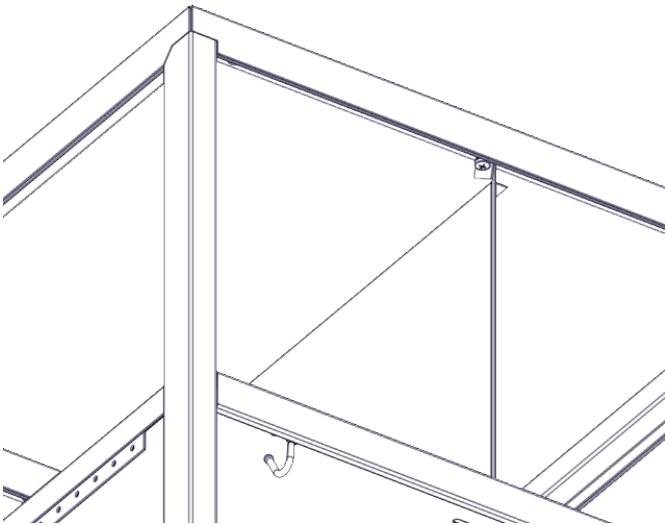
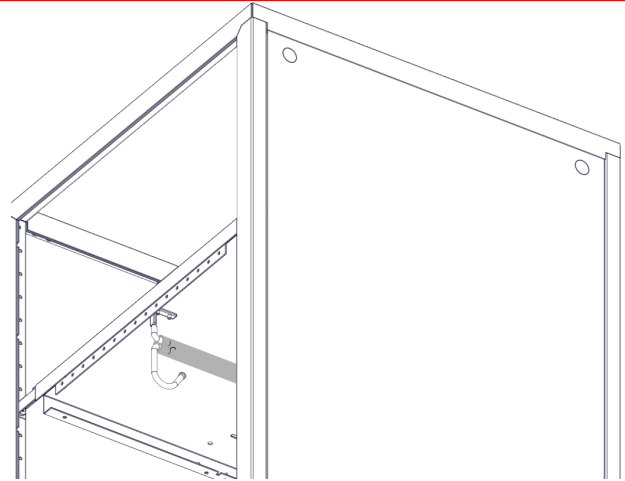
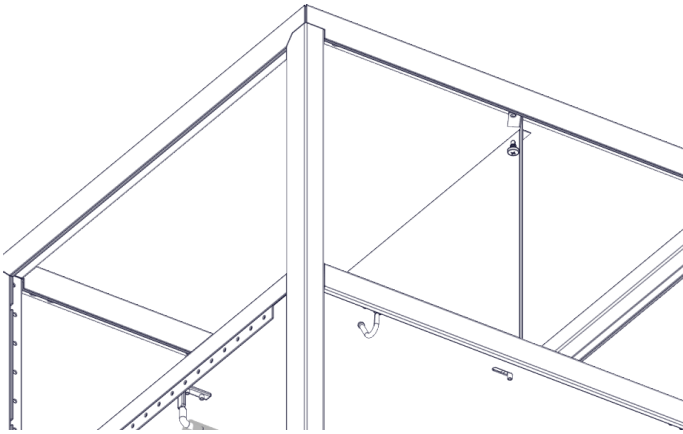
Stadium Fully Framed LOCKER – KD Assembly Instructions



Stadium Fully Framed LOCKER – KD Assembly Instructions

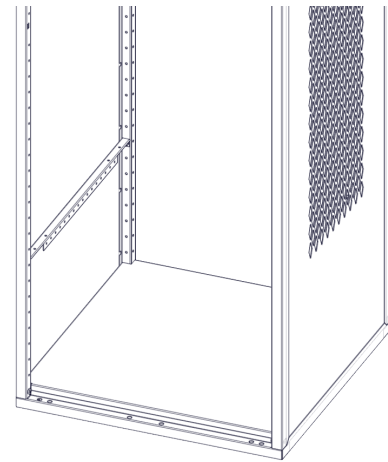
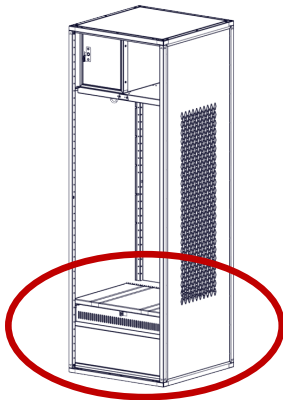
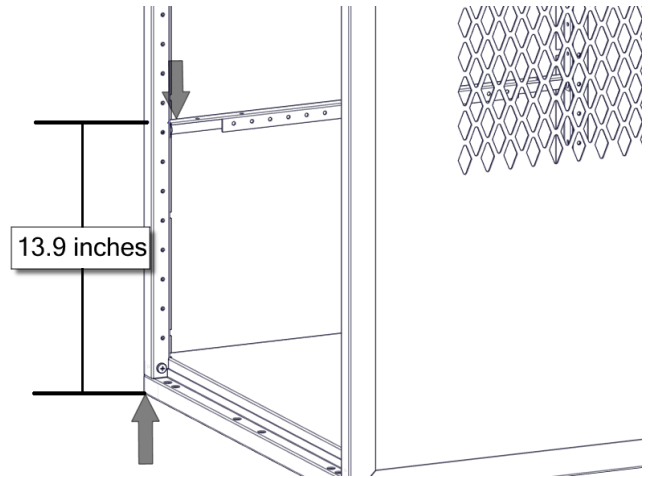
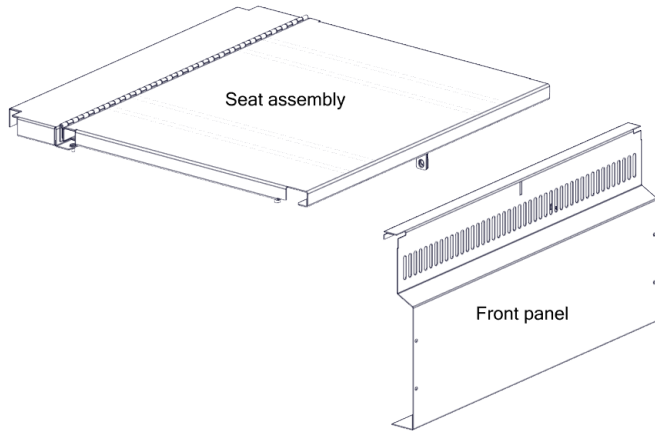


3D- Install screw through security box division and into the locker top back rail as shown.

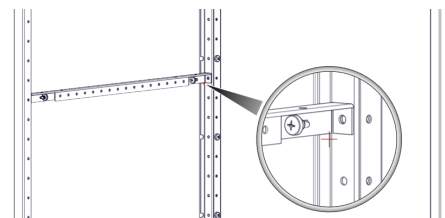


STEP 4- Install Footlocker

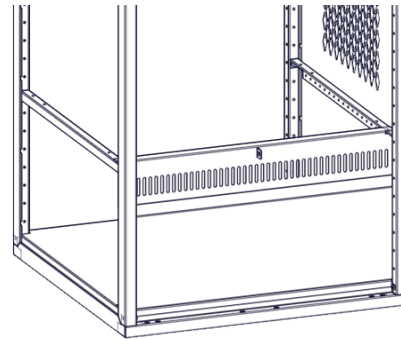
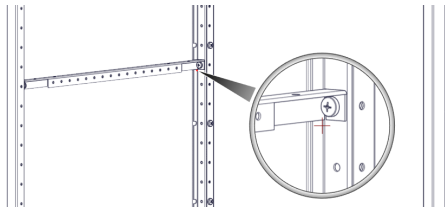
Parts:



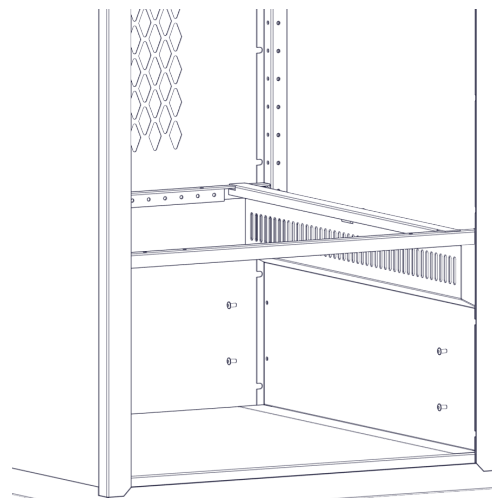
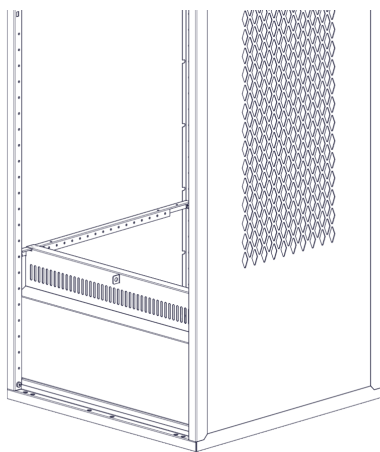
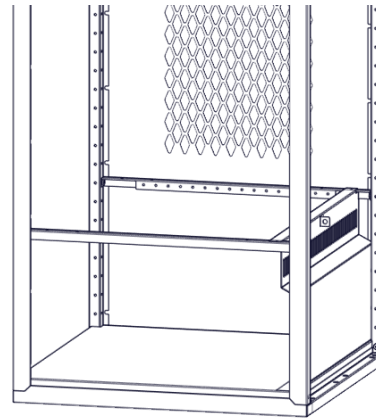
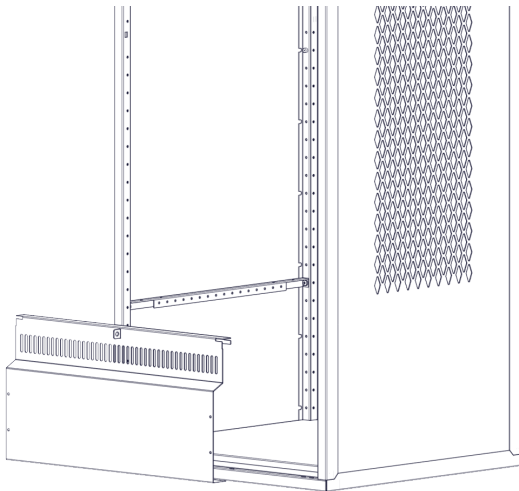
4A- Install the side mounting rails at the proper height locations using one screw in each corner. Rail height for footlocker is 13.9 inches from the outside bottom corner to the top of the rail. Two mounting rails required one on each side.



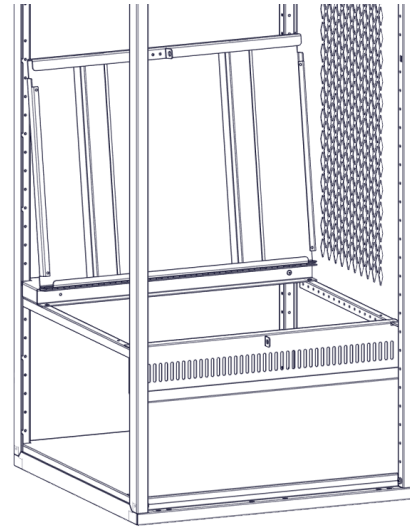
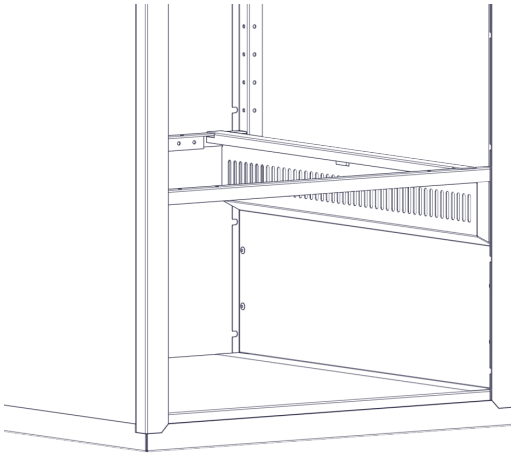
Stadium Fully Framed LOCKER – KD Assembly Instructions



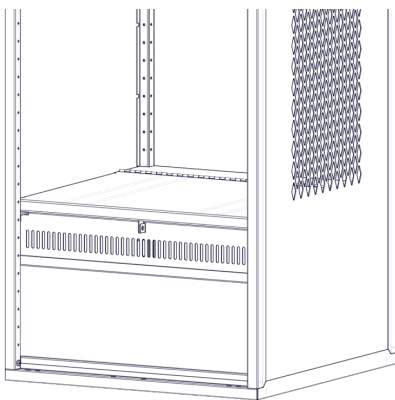
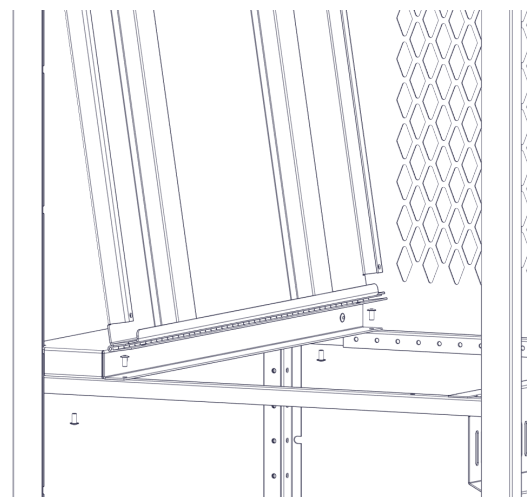
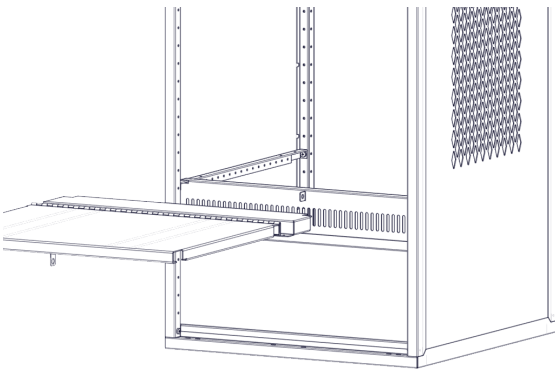
4B- Now install the footlocker front panel by inserting it behind the vertical corner posts and into the slots of the horizontal side rails and attach using four rivets.



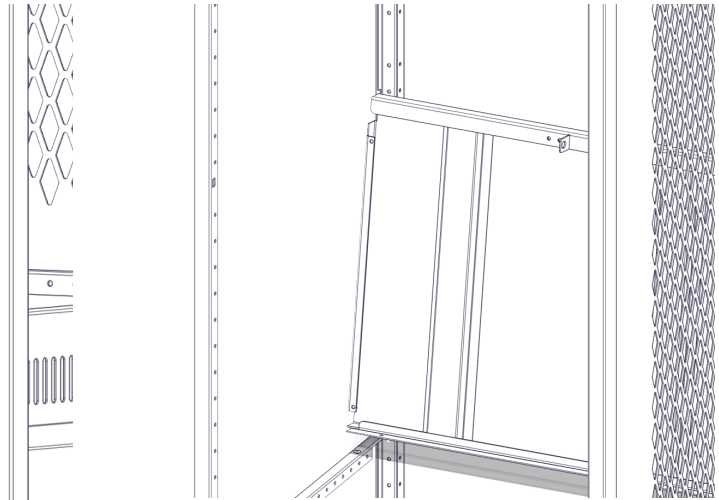
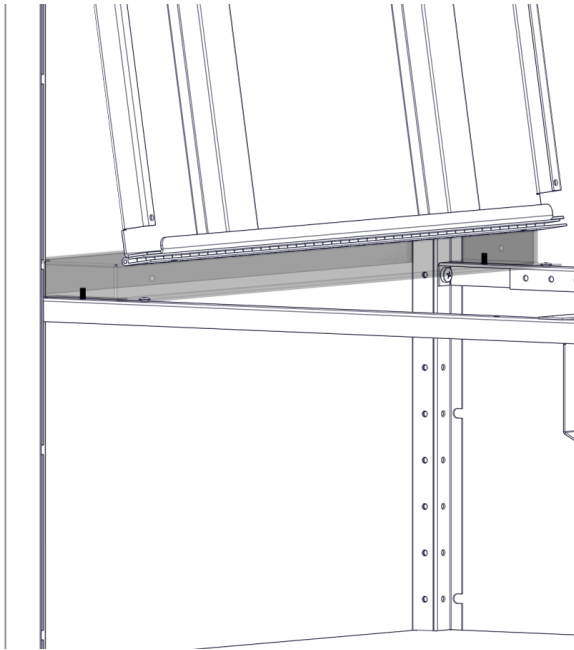
Stadium Fully Framed LOCKER – KD Assembly Instructions



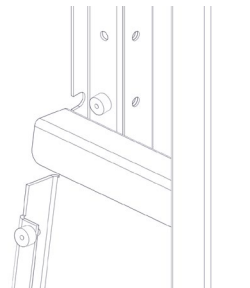
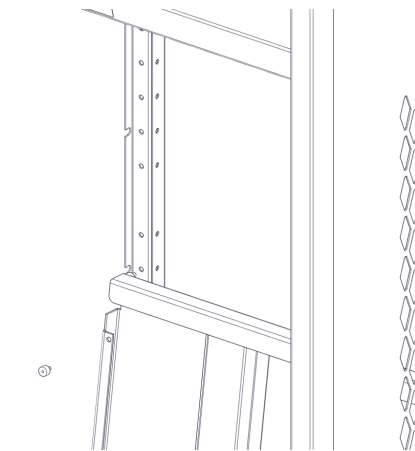
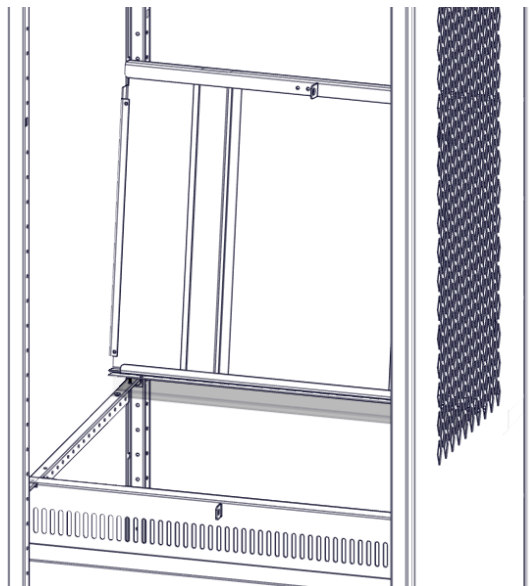
4C- Next install the seat assembly using four rivets into the horizontal rails at the proper locations.



Stadium Fully Framed LOCKER – KD Assembly Instructions



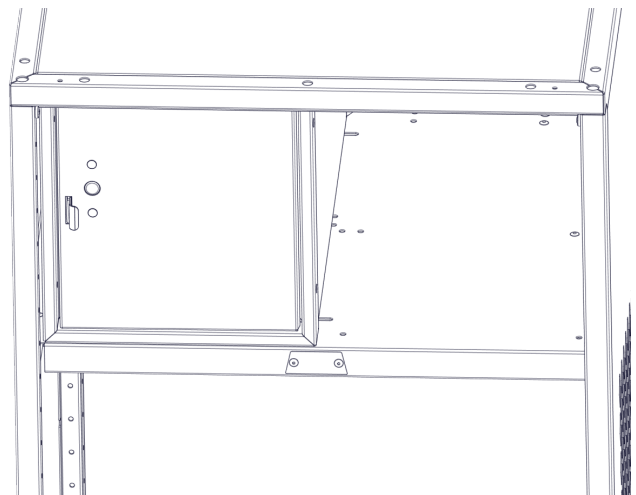
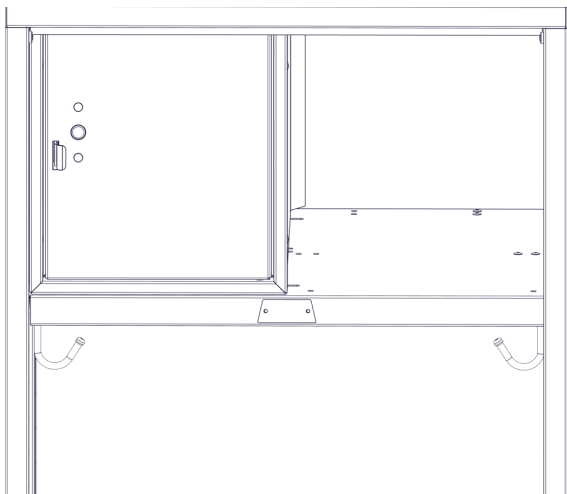
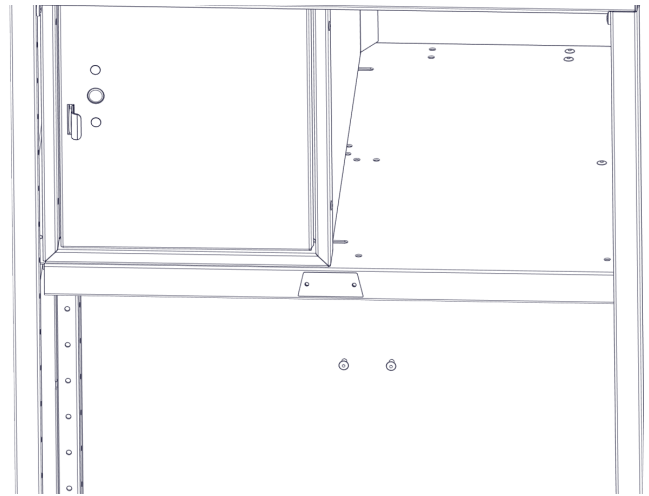
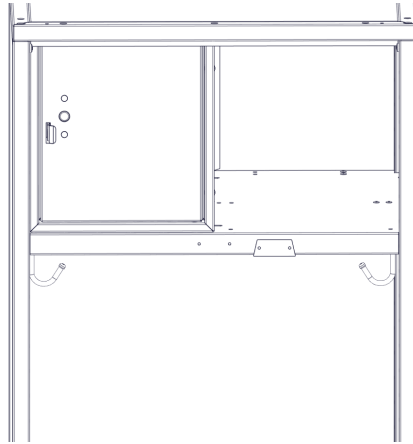
4D- Now install the rubber bumpers on the seat and at proper height on the vertical posts.



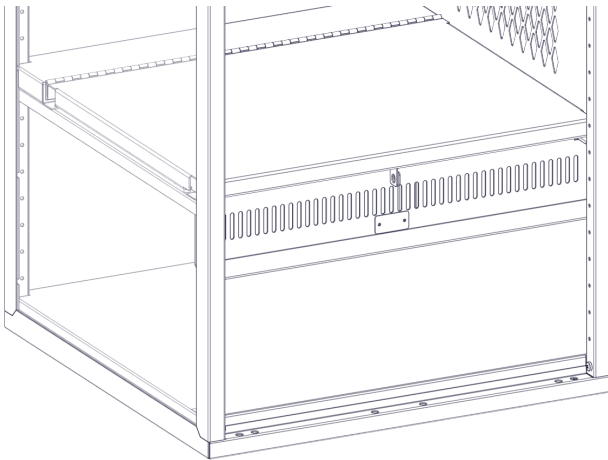
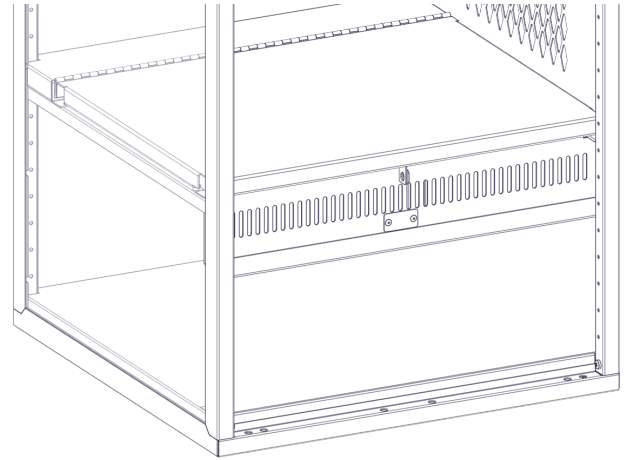
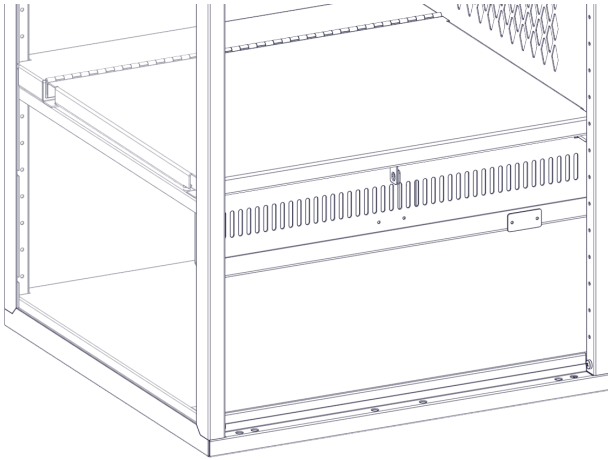
Stadium Fully Framed LOCKER – KD Assembly Instructions



Step 5 Install number plate and strike plate using two rivets in each as shown.



Stadium Fully Framed LOCKER – KD Assembly Instructions



Assembly is now complete. Lockers to be floor and wall anchored before use.

