

60" HIGH SINGLE TIER GEN2 LOCKER

TYPICAL FOR 09", 12", 15, 21 & 24" WIDE
 TYPICAL FOR 12", 15", 18", 21" & 24" DEEP

ALUMINUM NUMBER PLATE
 (FIELD INSTALL)

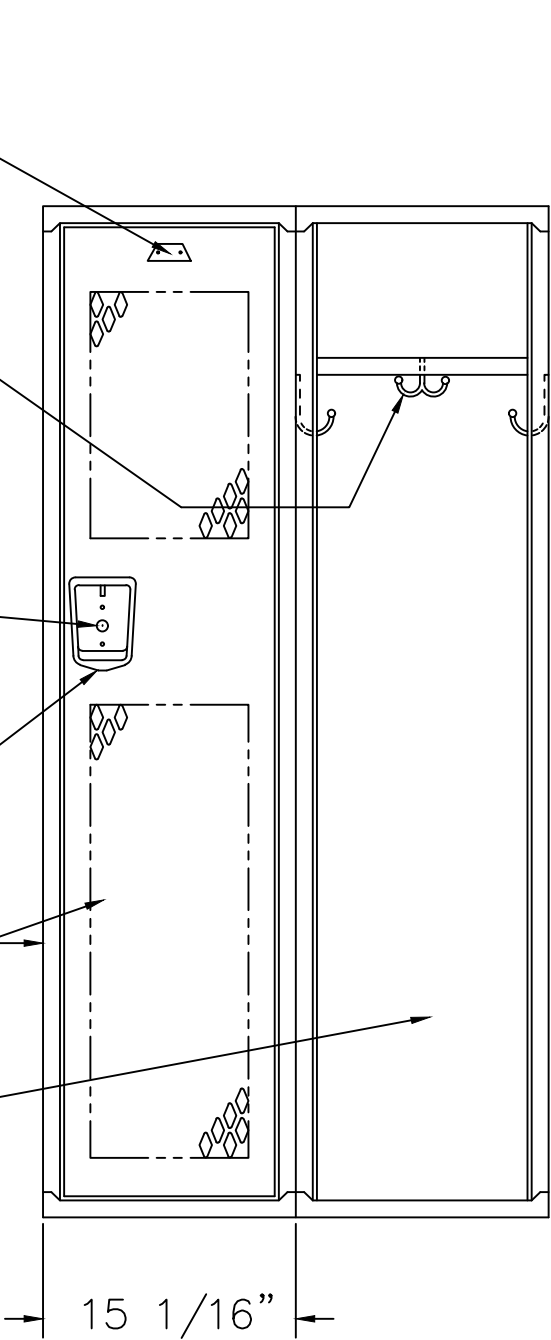
TWO SINGLE PRONG WALL
 ONE DOUBLE PRONG WALL
 HOOKS EACH OPENING
 (FIELD INSTALL)

LOCK HOLE COVER PLATE
 (FIELD INSTALL)

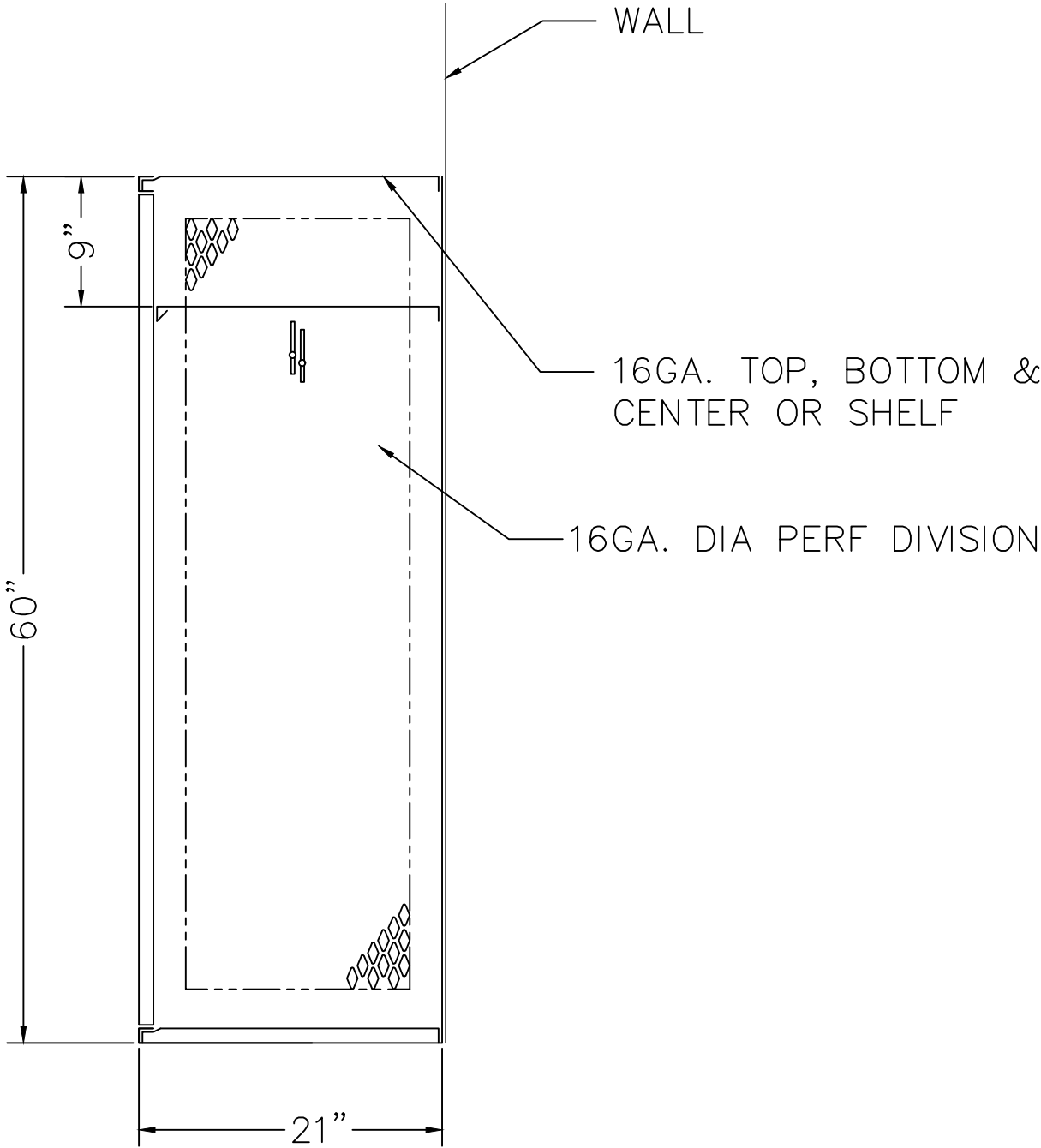
STAINLESS STEEL RECESSED
 HANDLE W/ PADLOCK EYE

16GA. FRAME ASSEMBLY &
 14GA. DIAMOND DOOR W/PAN

16GA. SOLID BACK



LOCKER ELEVATION



LOCKER SECTION

TYPE A 15" x 21" x 60" SINGLE TIER, GEN2 REC. HANDLE LOCKER

ALLOW 1/16" CREEPAGE PER FRAME