

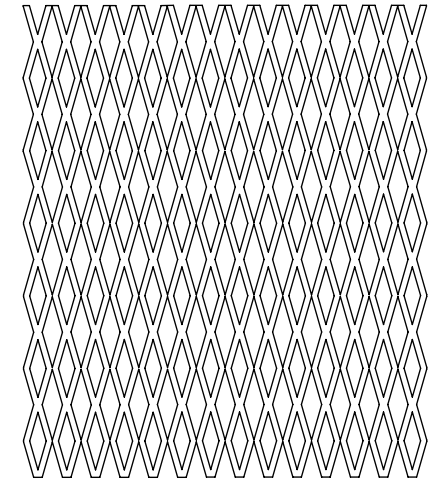
4

3

2

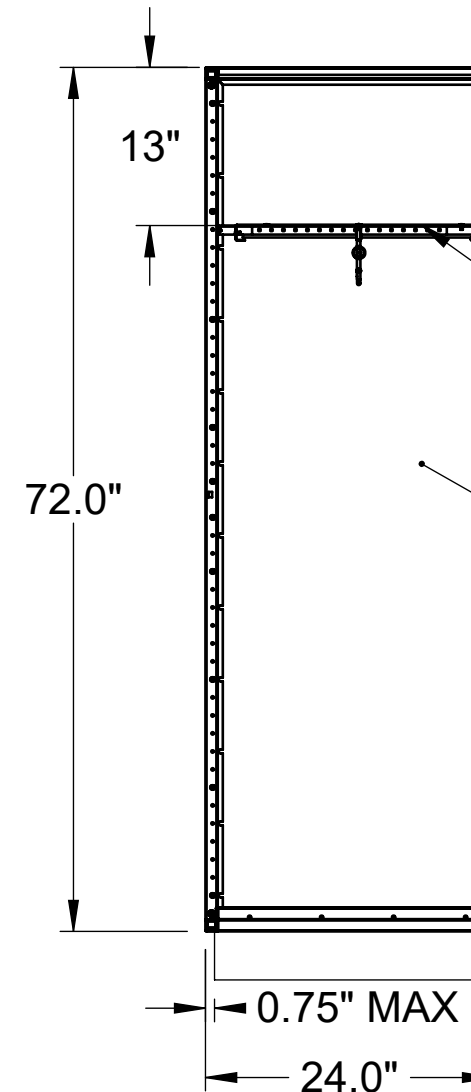
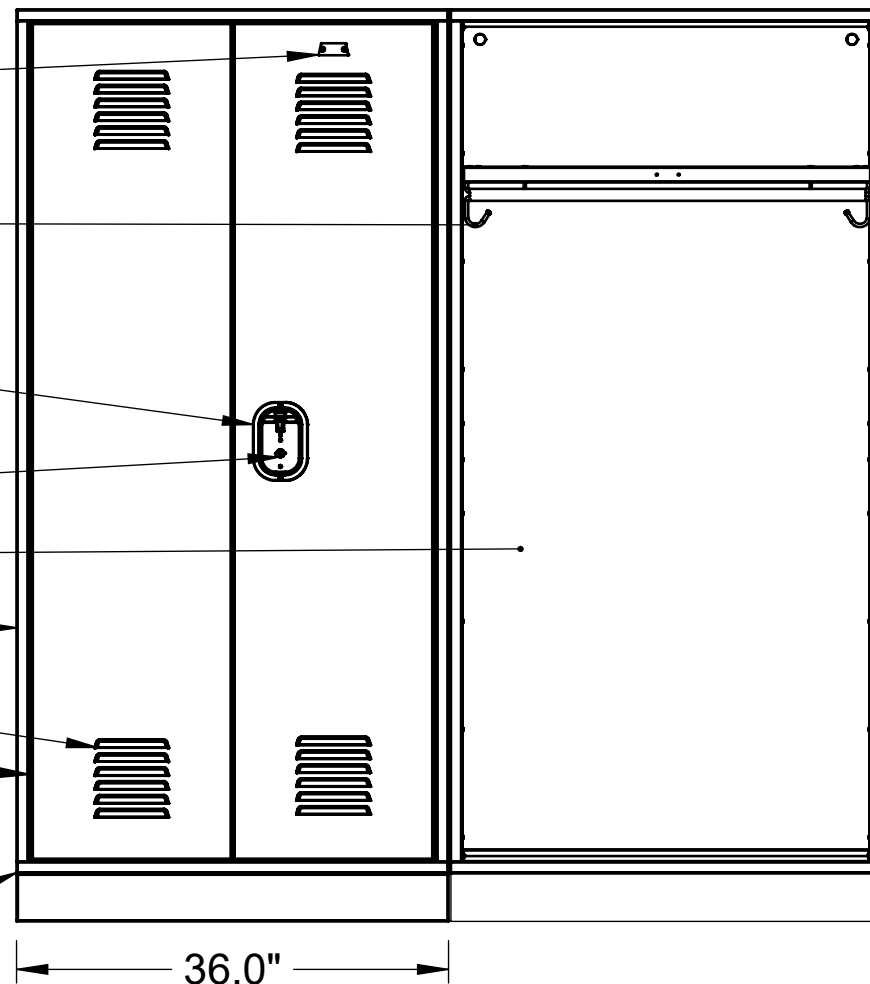
1

PATRIOT FULLY FRAMED GEAR LOCKER



#13 FLAT. EXP. METAL

- ALUMINUM NUMBER PLATE (FIELD INSTALL)
- TWO COAT ROD HOOKS
COAT ROD, TWO REAR COAT HOOKS
- RECESSED POCKET WITH ADA COMPLIANT ULTRA CREMONE LIFT HANDLE WITH PADLOCK EYE
- LOCK HOLE COVER PLATE (FIELD INSTALL)
- 18GA. SOLID BACK
- 16GA. FRAME ASSEMBLY
- 14GA LOUVER DOOR
- CONTINUOUS HINGE
- FULL FRAME CONSTRUCTION
8 INTEGRAL CAST CORNER PIECES



ANCHOR LOCKERS TIGHT TO WALL @ 36" O.C. (ANCHORS BY OTHERS)

16GA TOP, BOTTOM, & INTERMEDIATE SHELF

#13 FLAT. EXP. SIDES
SOLID 16GA OPTIONAL

ANCHOR LOCKERS TIGHT TO BASE / FLOOR @ 36" O.C. (ANCHORS BY OTHERS)

CONCRETE BASE SHOWN (BY OTHERS)
AVAILABLE OPTIONAL 4" OR 6" CHANNEL BASE

AVAILABLE AS WELDED OR KNOCK DOWN
 AVAILABLE WIDTHS 18, 24, 30, 36, 42, 48
 AVAILABLE DEPTHS 18 DEEP ONLY ON 18 & 24 WIDE, 24 DEEP
 AVAILABLE HEIGHTS 72,78
 SINGLE DOOR ONLY ON 18 WIDE AND BOTH SINGLE AND DOUBLE DOOR ON 24 WIDE
 AVAILABLE DOOR PERFORATIONS SOLID, LOUVER, & DIAMOND
 AVAILABLE SIDE PERFORATIONS SOLID, FLAT. EXP. METAL, & DIAMOND SIDE ONLY ON 72" HEIGHT SIDES
 ABAILABLE BASE OPTIONS NO BASE, 4 OR 6 INCH CHANNEL BASE

AVAILABLE INTERIOR COMPONENTS
 CELL TRAY, CENTER PARTITION, COAT ROD, DOCUMENT SLEEVE, DRAWERS,
 FOOT LOCKER, HALF SHELF, INNER COMPARTMENT DOOR, METAL SEAT,
 SECURITY BOX, SHELF, & WOODEN SEAT



4

3

2

1